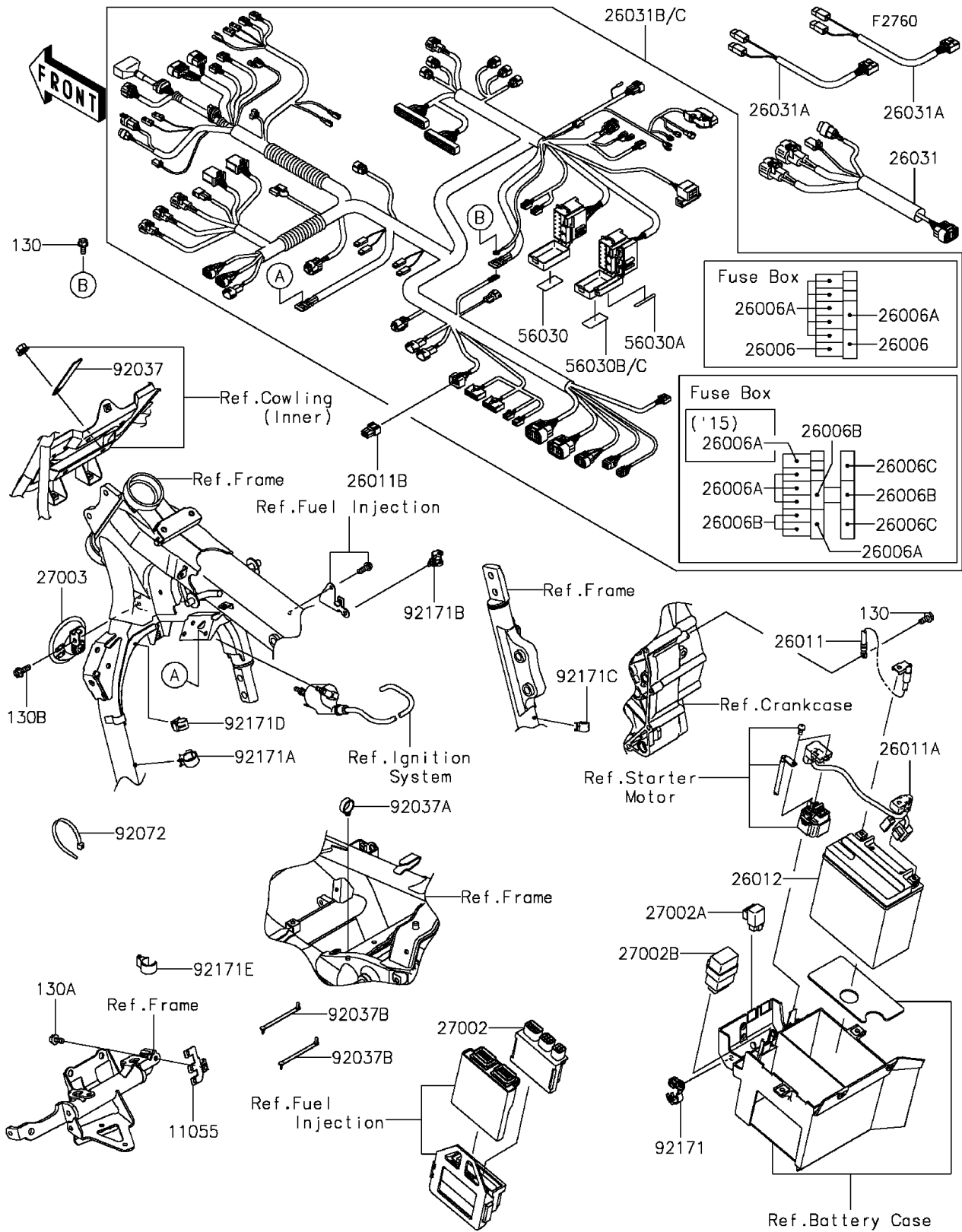


2012 PARTS DIAGRAM

Chassis Electrical Equipment



2012 PARTS LIST

Chassis Electrical Equipment

ITEM NAME	PART NUMBER	QUANTITY
BOLT-FLANGED,6X14 (Ref # 130)	130BA0614	1
BOLT-FLANGED,6X12 (Ref # 130A)	130BB0612	1
BOLT-FLANGED,6X18 (Ref # 130B)	130BB0618	1
BRACKET,CONNECTOR (Ref # 11055)	11055-0613	1
FUSE,MINI BLADE,5A,TAN (Ref # 26006)	26006-1077	1
FUSE,MINI BLADE,10A,RED (Ref # 26006A)	26006-1078	1
FUSE,MINI BLADE,20A,YELLOW (Ref # 26006B)	26006-1079	1
FUSE,MINI BLADE,30A,GREEN (Ref # 26006C)	26006-1080	1
WIRE-LEAD,BATTERY(-) (Ref # 26011)	26011-0180	1
WIRE-LEAD,BATTERY(+) (Ref # 26011A)	26011-0193	1
WIRE-LEAD,CONNECTOR COVER (Ref # 26011B)	26011-0275	1
BATTERY,FTZ16-BS,12V 18AH (Ref # 26012)	26012-0589	1
HARNESS,RR,SUB (Ref # 26031)	26031-0651	1
HARNESS,SPEAKER (Ref # 26031A)	26031-0778	1
HARNESS,MAIN (Ref # 26031B)	26031-1286	1
RELAY-ASSY (Ref # 27002)	27002-0007	1
RELAY-ASSY (Ref # 27002A)	27002-1062	1
RELAY-ASSY,SIGNAL LAMP (Ref # 27002B)	27002-1113	1
HORN (Ref # 27003)	27003-0055	1
LABEL,FUSE BOX (Ref # 56030)	56030-0177	1
LABEL,FUSE BOX (Ref # 56030A)	56030-0189	1
LABEL,FUSE BOX (Ref # 56030B)	56030-0293	1
CLAMP,HARNESS,L=100 (Ref # 92037)	92037-1636	1
CLAMP,HOSE (Ref # 92037A)	92037-1827	1
CLAMP,SPEED,L=80.5 (Ref # 92037B)	92037-1903	1
BAND,L=202 (Ref # 92072)	92072-1195	1
CLAMP,CLIP,DIA=20 (Ref # 92171)	92171-0068	1
CLAMP,20MM DIA. (Ref # 92171A)	92171-0081	1
CLAMP,13MM DIA. (Ref # 92171B)	92171-1415	1

2012 PARTS LIST

Chassis Electrical Equipment

ITEM NAME	PART NUMBER	QUANTITY
CLAMP,10MM DIA. (Ref # 92171C)	92171-1423	1
CLAMP,15MM DIA. (Ref # 92171D)	92171-1424	1
CLAMP (Ref # 92171E)	92171-1460	1