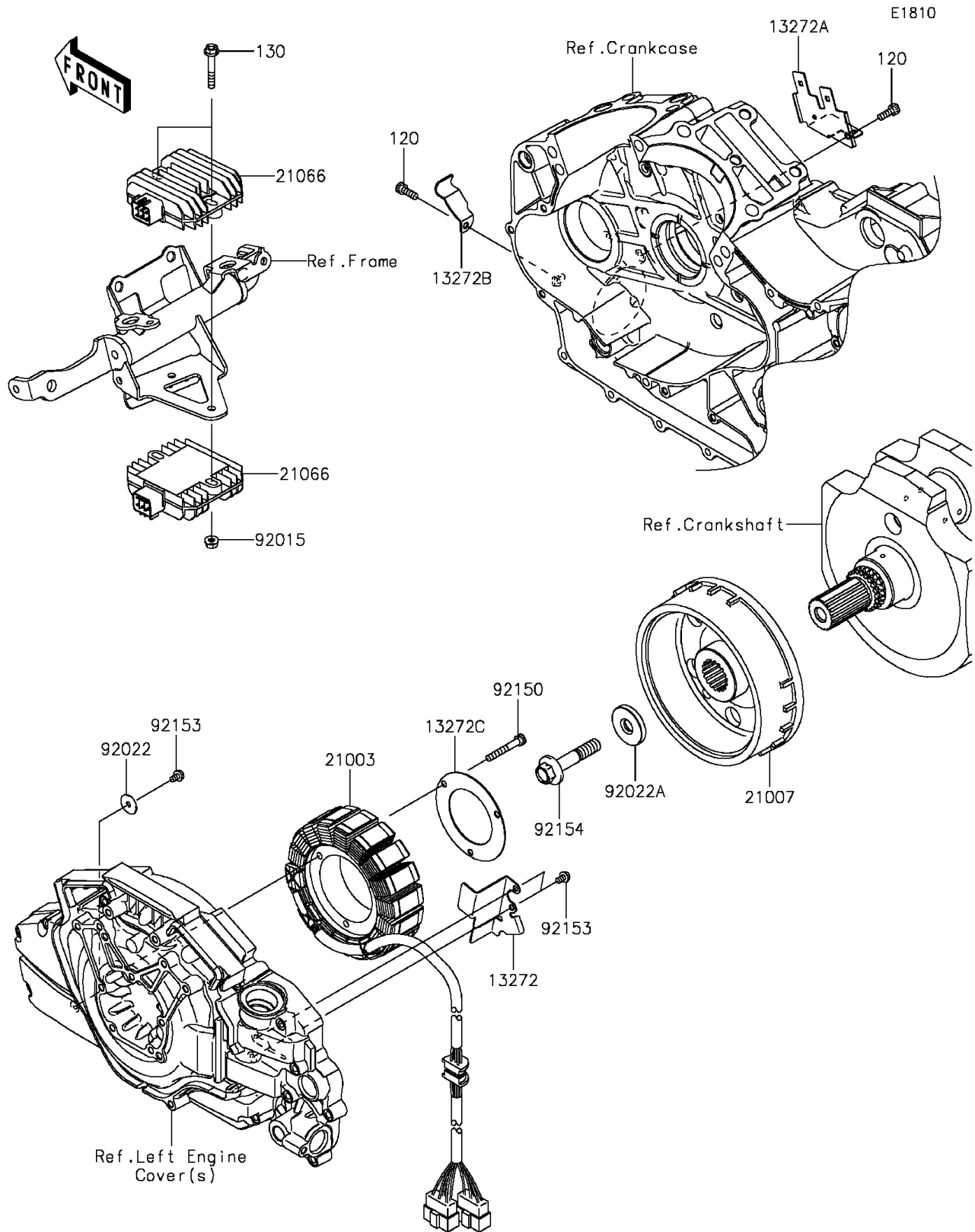


2012 PARTS DIAGRAM

Generator



2012 PARTS LIST

Generator

ITEM NAME	PART NUMBER	QUANTITY
BOLT-SOCKET,6X16 (Ref # 120)	120CA0616	1
BOLT-FLANGED,6X40 (Ref # 130)	130BB0640	1
PLATE,INNER GENE. COVER (Ref # 13272)	13272-0320	1
PLATE,COUPLER (Ref # 13272A)	13272-0426	1
PLATE,FR RH CASE (Ref # 13272B)	13272-0427	1
PLATE,STATOR (Ref # 13272C)	13272-0683	1
STATOR (Ref # 21003)	21003-0076	1
ROTOR (Ref # 21007)	21007-0116	1
REGULATOR-VOLTAGE (Ref # 21066)	21066-0043	1
NUT,FLANGED,6MM,BLACK (Ref # 92015)	92015-1233	1
WASHER,5.5X20X1.2 (Ref # 92022)	92022-104	1
WASHER,12X40X6 (Ref # 92022A)	92022-1904	1
BOLT,SOCKET,6X40 (Ref # 92150)	92150-1958	1
BOLT,5X10 (Ref # 92153)	92153-0687	1
BOLT,ROTOR,12X60 (Ref # 92154)	92154-0032	1