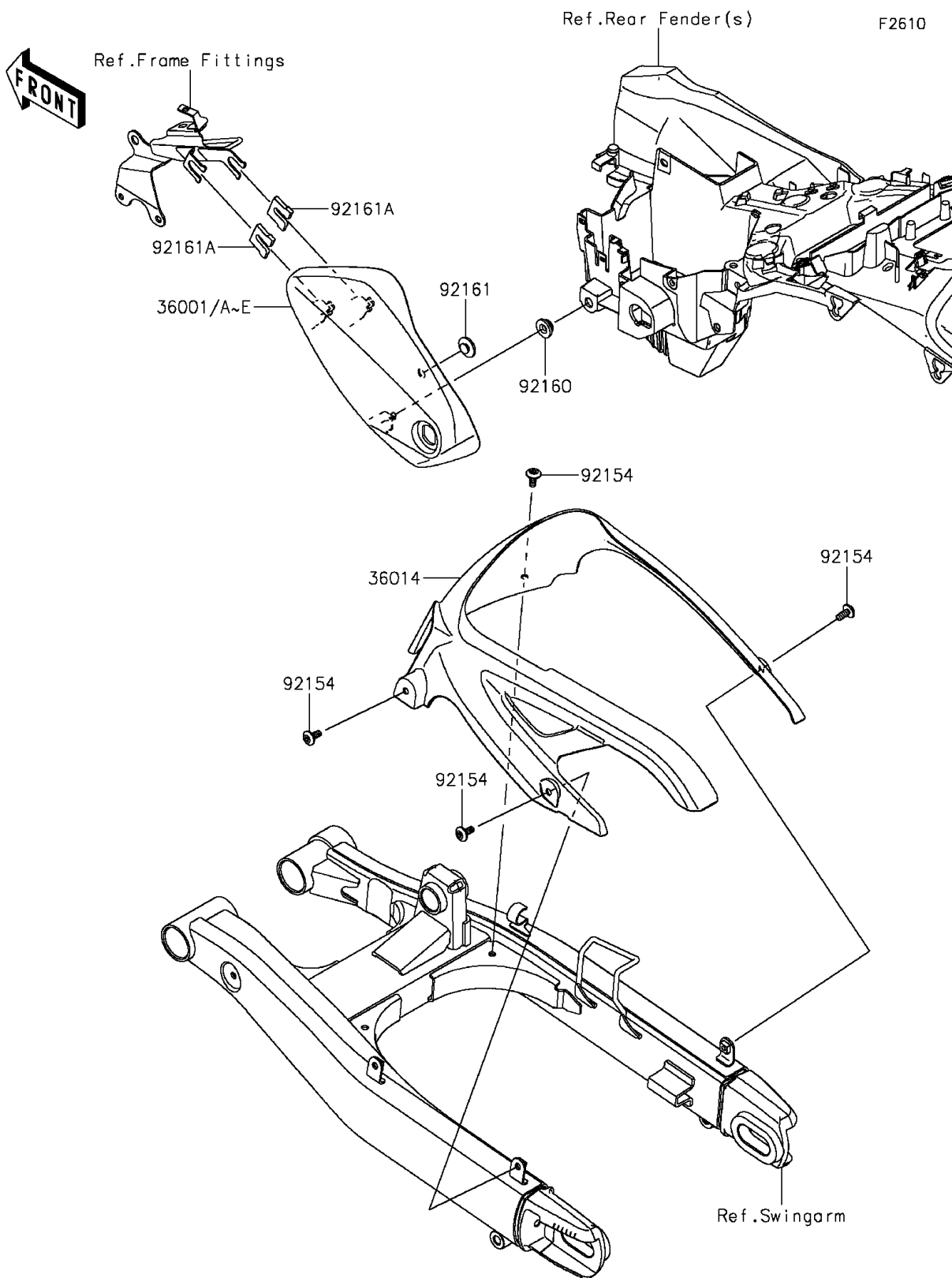


2015 Vulcan® S ABS PARTS DIAGRAM

Side Covers/Chain Cover



2015 Vulcan® S ABS PARTS LIST

Side Covers/Chain Cover

ITEM NAME	PART NUMBER	QUANTITY
COVER-SIDE,F.EBONY (Ref # 36001A)	36001-0615-45L	1
COVER-SIDE,C.L.GREEN (Ref # 36001C)	36001-0615-51P	1
COVER-SIDE,P.C.WHITE (Ref # 36001D)	36001-0615-667	1
CASE-CHAIN (Ref # 36014)	36014-0566	1
BOLT,SOCKET,6X14 (Ref # 92154)	92154-1511	1
DAMPER (Ref # 92160)	92160-1613	1
DAMPER,8X22X10 (Ref # 92161)	92161-1685	1
DAMPER (Ref # 92161A)	92161-1764	1
COVER-SIDE,M.R.PURPLE (Ref # 36001)	36001-0615-35Y	1