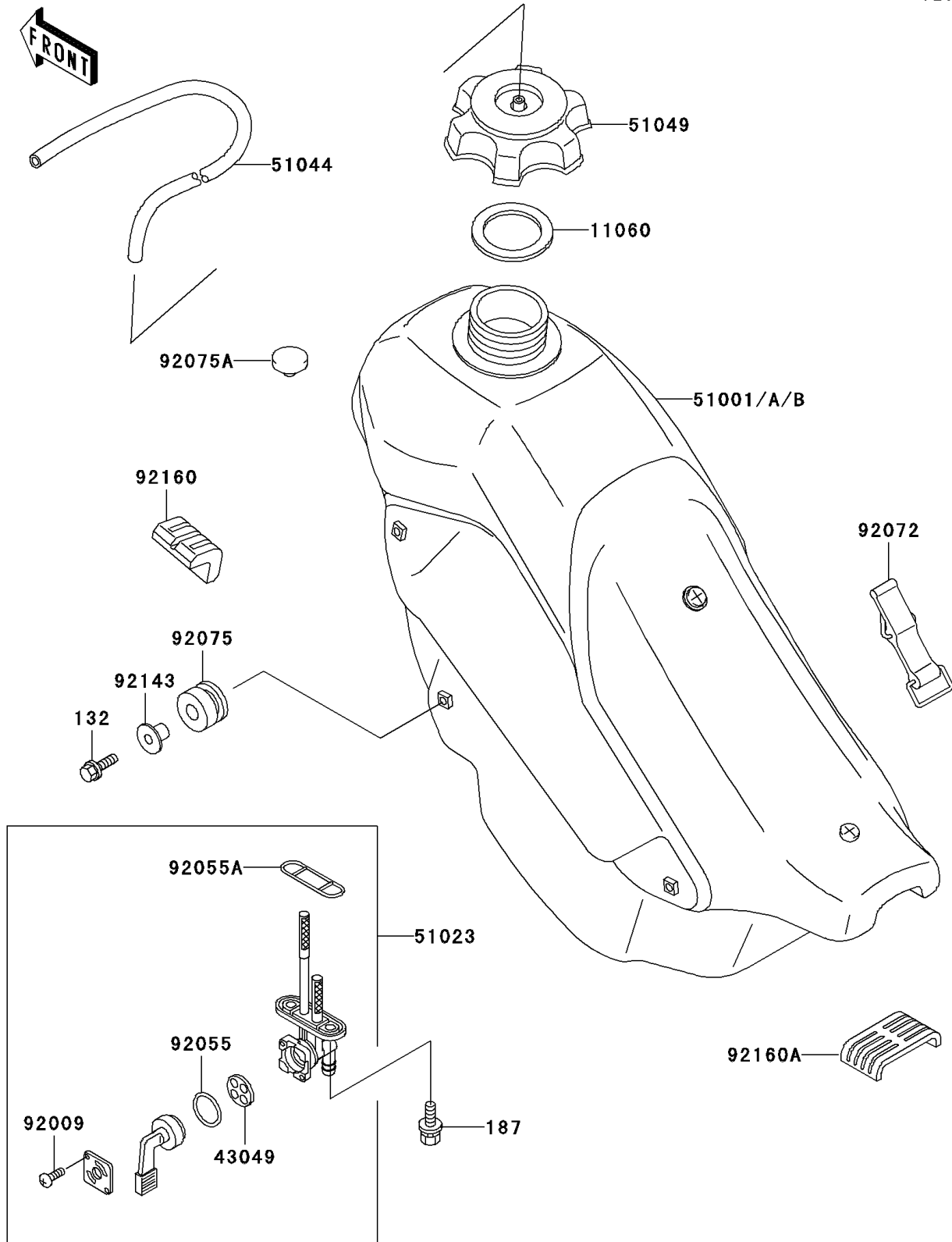


2000 KDX™200 PARTS DIAGRAM

Fuel Tank

F2410



2000 KDX™200 PARTS LIST

Fuel Tank

ITEM NAME	PART NUMBER	QUANTITY
BOLT-FLANGED-SMALL (Ref # 132)	132G0620	1
BOLT-UPSET-WSP (Ref # 187)	187B0616	1
GASKET,FUEL TANK CAP (Ref # 11060)	11060-1340	1
PACKING,FUEL TAP LEVER (Ref # 43049)	43049-1017	1
TANK-COMP-FUEL,L.GREEN (Ref # 51001)	51001-1456-6W	1
TAP-ASSY,FUEL (Ref # 51023)	51023-1214	1
TUBE-ASSY (Ref # 51044)	51044-1185	1
CAP-TANK,FUEL (Ref # 51049)	51049-1108	1
SCREW,3X5 (Ref # 92009)	92009-1123	1
RING-O,FUEL TAP LEVER (Ref # 92055)	92055-1111	1
RING-O,FUEL TAP PACKING (Ref # 92055A)	92055-1348	1
BAND,FUEL TANK (Ref # 92072)	92072-1229	1
DAMPER,RUBBER (Ref # 92075)	92075-1123	1
DAMPER (Ref # 92075A)	92075-281	1
COLLAR (Ref # 92143)	92143-1353	1
DAMPER,FUEL TANK (Ref # 92160)	92160-1328	1
DAMPER,FUEL TANK,RR (Ref # 92160A)	92160-1397	1