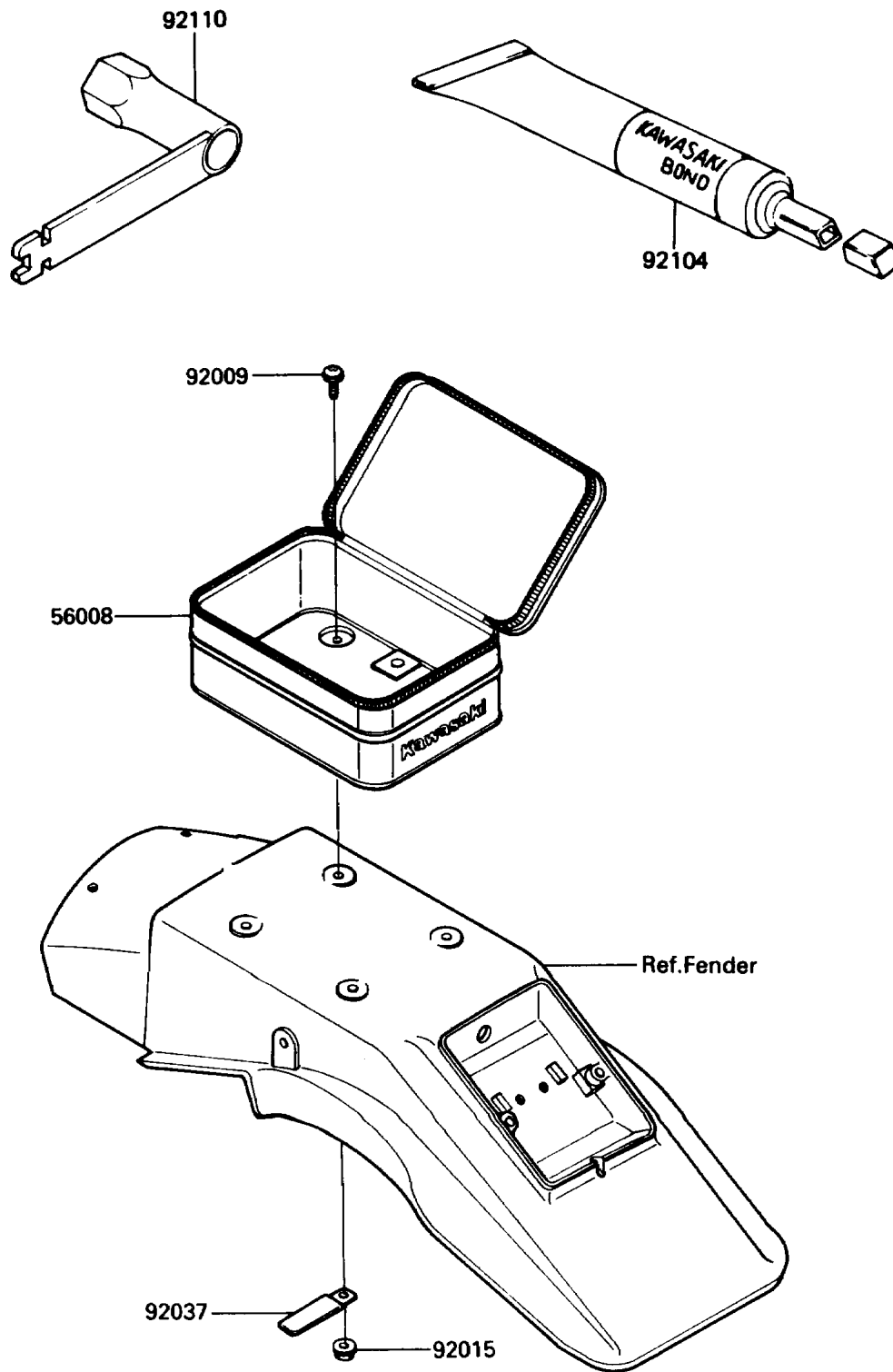


## 1986 KDX™200 PARTS DIAGRAM

Owner's Tools

F2810-0220



## 1986 KDX™200 PARTS LIST

Owner's Tools

ITEM NAME	PART NUMBER	QUANTITY
BAG,TOOL (Ref # 56008)	56008-1053	1
SCREW,6X20 (Ref # 92009)	92009-1289	1
NUT,FLANGED,6MM (Ref # 92015)	92015-1078	1
CLAMP,WIRING HARNESS (Ref # 92037)	92037-1069	1
GASKET-LIQUID,TUBE,100G,SILVER (Ref # 92104)	92104-002	1
TOOL-WRENCH,BOX,21MM&SPOKE (Ref # 92110)	92110-1119	1