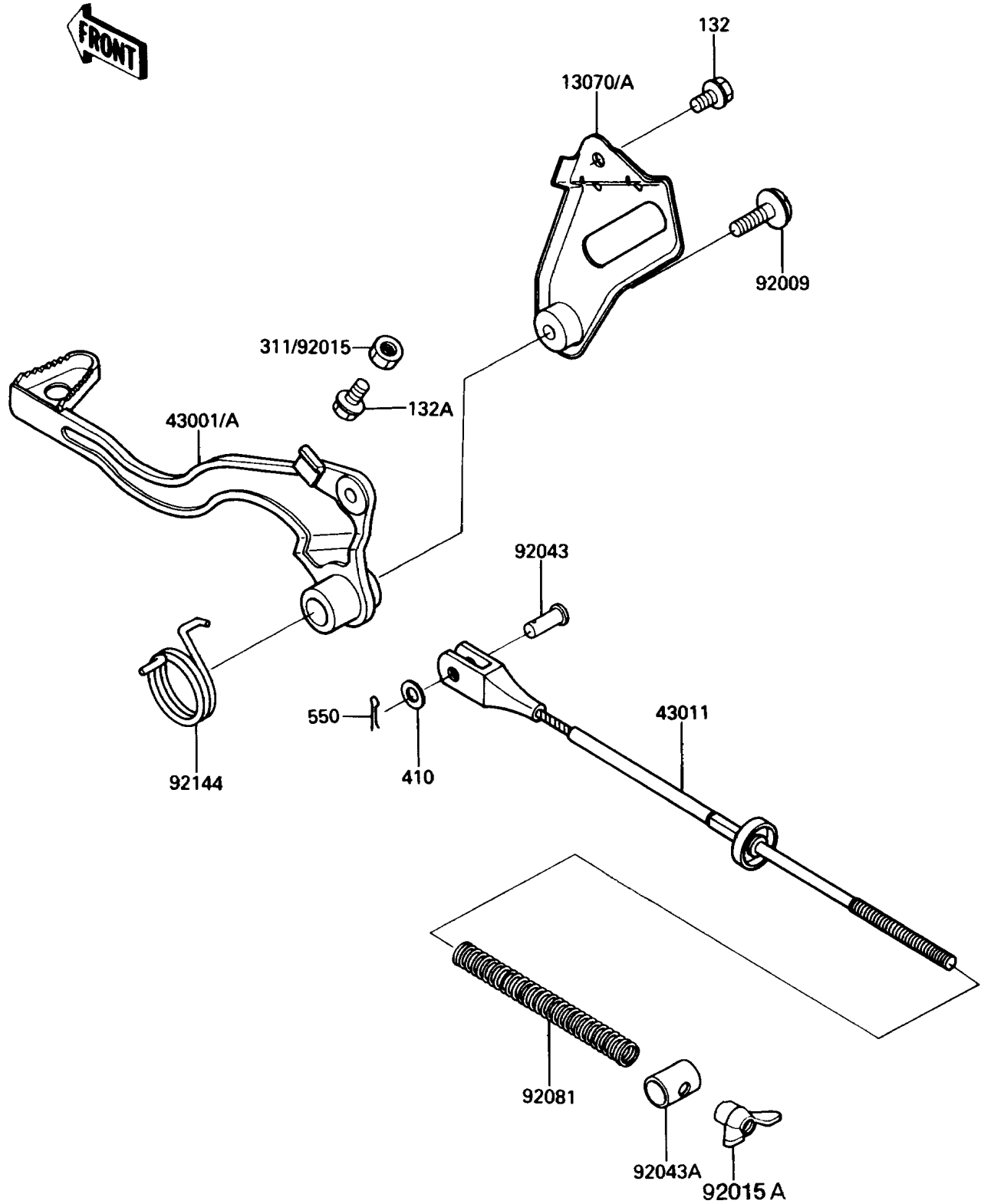


1986 KDX™200 PARTS DIAGRAM

Brake Pedal

F2260-0164



1986 KDX™200 PARTS LIST

Brake Pedal

ITEM NAME	PART NUMBER	QUANTITY
GUIDE,BRAKE (Ref # 13070)	13070-1154	1
LEVER-BRAKE,PEDAL (Ref # 43001)	43001-1207	1
ROD-BRAKE (Ref # 43011)	43011-1126	1
SCREW,6X20 (Ref # 92009)	92009-1289	1
NUT,WING,6MM (Ref # 92015A)	92015-4004	1
PIN,6X17 (Ref # 92043)	92043-064	1
PIN,BRAKE (Ref # 92043A)	92043-1024	1
SPRING,BRAKE ROD (Ref # 92081)	92081-1688	1
SPRING,BRAKE PEDAL (Ref # 92144)	92144-1085	1
BOLT-FLANGED-SMALL (Ref # 132)	132G0610	1
BOLT-FLANGED-SMALL (Ref # 132A)	132G0625	1
NUT-HEX,6MM (Ref # 311)	311B0600	1
WASHER-PLAIN-SMALL,6MM (Ref # 410)	410B0600	1
PIN-COTTER,2.0X15 (Ref # 550)	550D2015	1