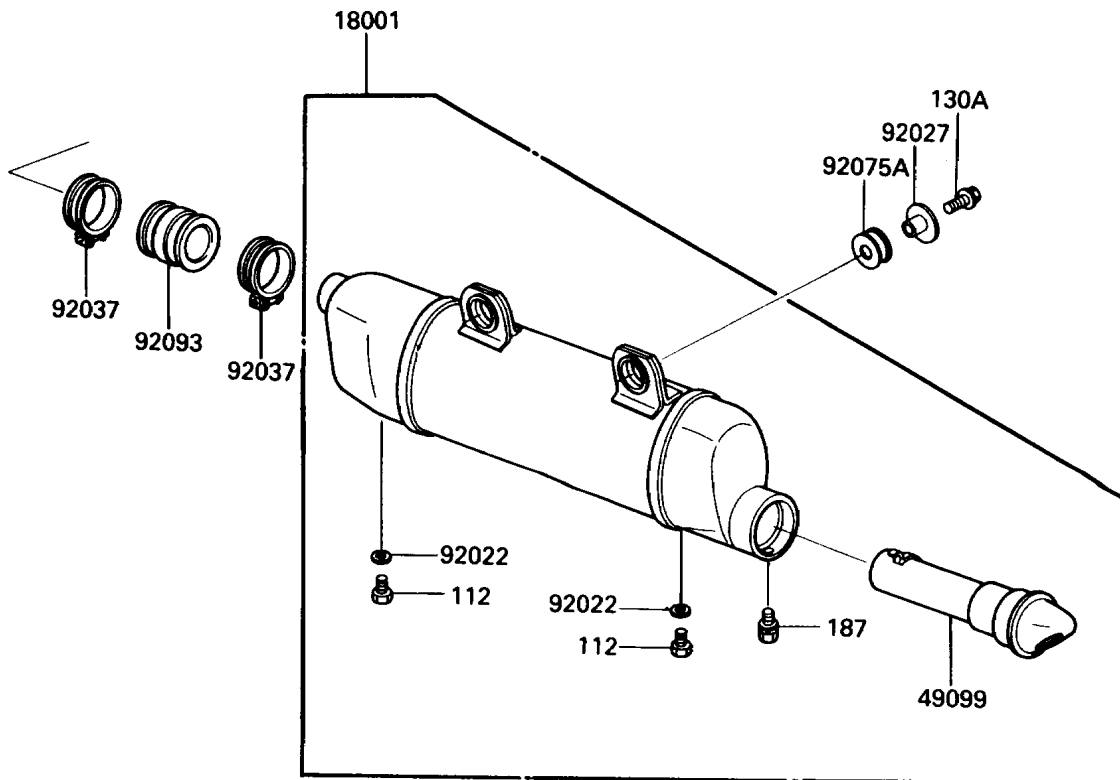
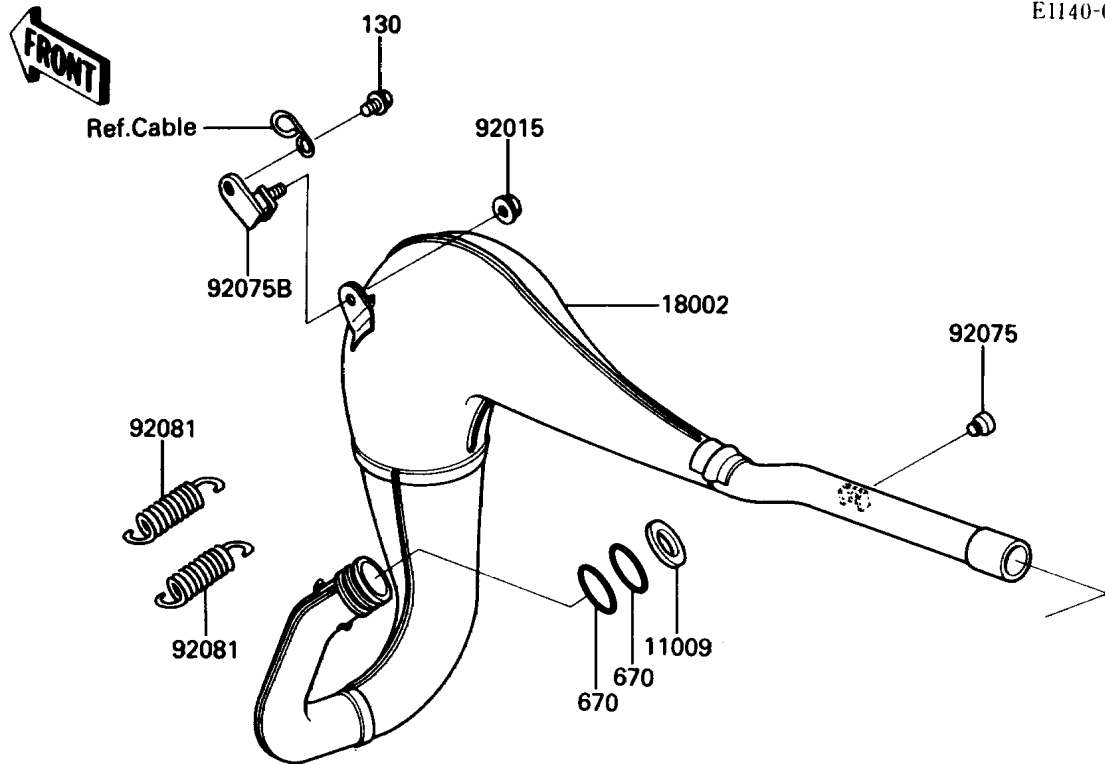


1986 KDX™200 PARTS DIAGRAM

Muffler(s)

E1140-0268



1986 KDX™200 PARTS LIST

Muffler(s)

ITEM NAME	PART NUMBER	QUANTITY
GASKET,EXHAUST PIPE (Ref # 11009)	11009-1123	1
MUFFLER (Ref # 18001)	18001-1590	1
BODY-COMP-MUFFLER (Ref # 18002)	18002-1782	1
BAFFLE-PIPE MUFFLER (Ref # 49099)	49099-1170	1
NUT,FLANGED,6MM (Ref # 92015)	92015-1078	1
WASHER,6.2X11X1 (Ref # 92022)	92022-304	1
COLLAR,MUFFLER (Ref # 92027)	92027-1981	1
CLAMP (Ref # 92037)	92037-177	1
DAMPER (Ref # 92075)	92075-1598	1
DAMPER,MUFFLER (Ref # 92075A)	92075-1809	1
DAMPER,MUFFLER (Ref # 92075B)	92075-1891	1
SPRING (Ref # 92081)	92081-1526	1
SEAL,MUFFLER (Ref # 92093)	92093-1014	1
BOLT-UPSET (Ref # 112)	112B0608	1
BOLT-FLANGED,6X12 (Ref # 130)	130G0612	1
BOLT-FLANGED,8X30 (Ref # 130A)	130G0830	1
BOLT-UPSET-WSP (Ref # 187)	187B0612	1
O RING,45MM (Ref # 670)	670E3045	1