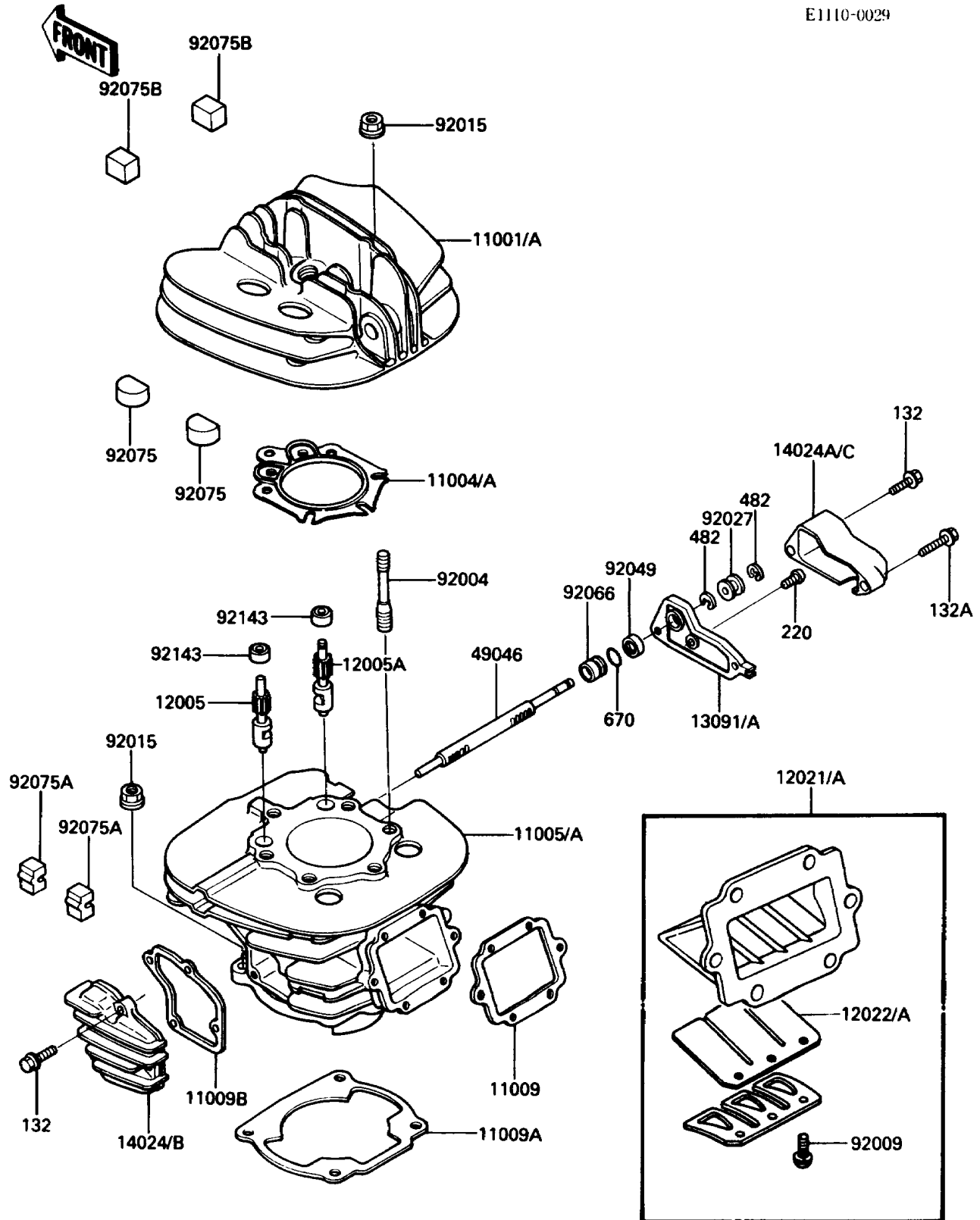


1986 KDX™200 PARTS DIAGRAM

Cylinder Head/Cylinder

E1110-0029



1986 KDX™200 PARTS LIST

Cylinder Head/Cylinder

ITEM NAME	PART NUMBER	QUANTITY
HEAD-CYLINDER (Ref # 11001)	11001-1215	1
GASKET-HEAD (Ref # 11004)	11004-1141	1
CYLINDER-ENGINE (Ref # 11005)	11005-1491	1
GASKET, REED VALVE (Ref # 11009)	11009-1263	1
GASKET, CYLINDER BASE (Ref # 11009A)	11009-1541	1
GASKET, RESONATOR COVER (Ref # 11009B)	11009-1542	1
VALVE-EXHAUST, LH (Ref # 12005)	12005-1086	1
VALVE-EXHAUST, RH (Ref # 12005A)	12005-1087	1
VALVE-ASSY-REED (Ref # 12021)	12021-1023	1
VALVE-REED (Ref # 12022)	12022-1014	1
HOLDER, GOVERNOR (Ref # 13091)	13091-1397	1
COVER, RESONATOR (Ref # 14024)	14024-1127	1
COVER, GOVERNOR (Ref # 14024A)	14024-1128	1
ROD-GOVERNOR (Ref # 49046)	49046-1054	1
STUD, L=39 (Ref # 92004)	92004-1026	1
SCREW, REED VALVE (Ref # 92009)	92009-1014	1
NUT, 8MM (Ref # 92015)	92015-1143	1
COLLAR, GOVERNOR ROD (Ref # 92027)	92027-1834	1
SEAL-OIL, RSO-5.5X11X4 (Ref # 92049)	92049-1206	1
PLUG (Ref # 92066)	92066-1223	1
DAMPER, CYLINDER HEAD (Ref # 92075)	92075-1176	1
DAMPER, CYLINDER (Ref # 92075A)	92075-1344	1
DAMPER, CYLINDER HEAD (Ref # 92075B)	92075-1368	1
COLLAR, VALVE GUIDE (Ref # 92143)	92027-1957	1
BOLT-FLANGED-SMALL (Ref # 132)	132G0620	1
BOLT-FLANGED-SMALL (Ref # 132A)	132G0630	1
SCREW-PAN-CROS, 6X14 (Ref # 220)	220B0614	1
CIRCLIP-TYPE-E, 4MM (Ref # 482)	482J4000	1
O RING, 10MM (Ref # 670)	670B2010	1