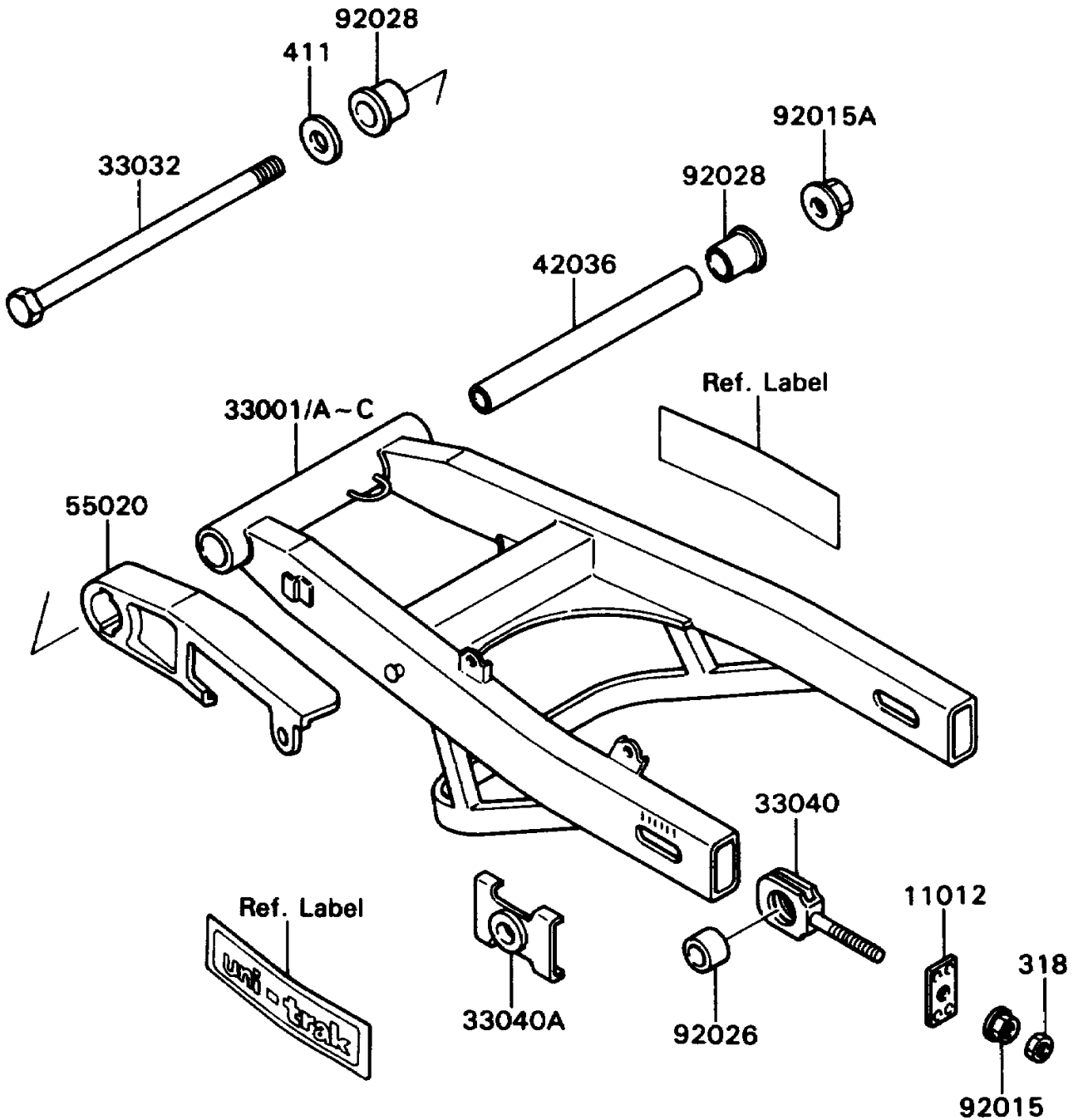


1988 KD80N PARTS DIAGRAM

Swingarm

F2141-0062



1988 KD80N PARTS LIST

Swingarm

ITEM NAME	PART NUMBER	QUANTITY
CAP,CHAIN ADJUSTER (Ref # 11012)	11012-1621	1
ARM-COMP-SWING (Ref # 33001)	33001-1311	1
ARM-COMP-SWING,SILVER NO.15 (Ref # 33001A)	33001-1311-X3	1
SHAFT-SWING ARM (Ref # 33032)	33032-1143	1
ADJUSTER-CHAIN,INSIDE (Ref # 33040)	33040-1087	1
ADJUSTER-CHAIN,OUTSIDE (Ref # 33040A)	33040-1088	1
SLEEVE,12.1X17X183 (Ref # 42036)	42036-1239	1
GUARD (Ref # 55020)	55020-1299	1
NUT,8MM (Ref # 92015)	92015-1143	1
NUT,FLANGED,12MM,BLACK (Ref # 92015A)	92015-1249	1
SPACER,12.2X22X16.2 (Ref # 92026)	92026-1309	1
BUSHING,L=25 (Ref # 92028)	92028-1359	1
NUT-HEX-SMALL,8MM (Ref # 318)	318G0800	1
WASHER-PLAIN (Ref # 411)	411F1200	1