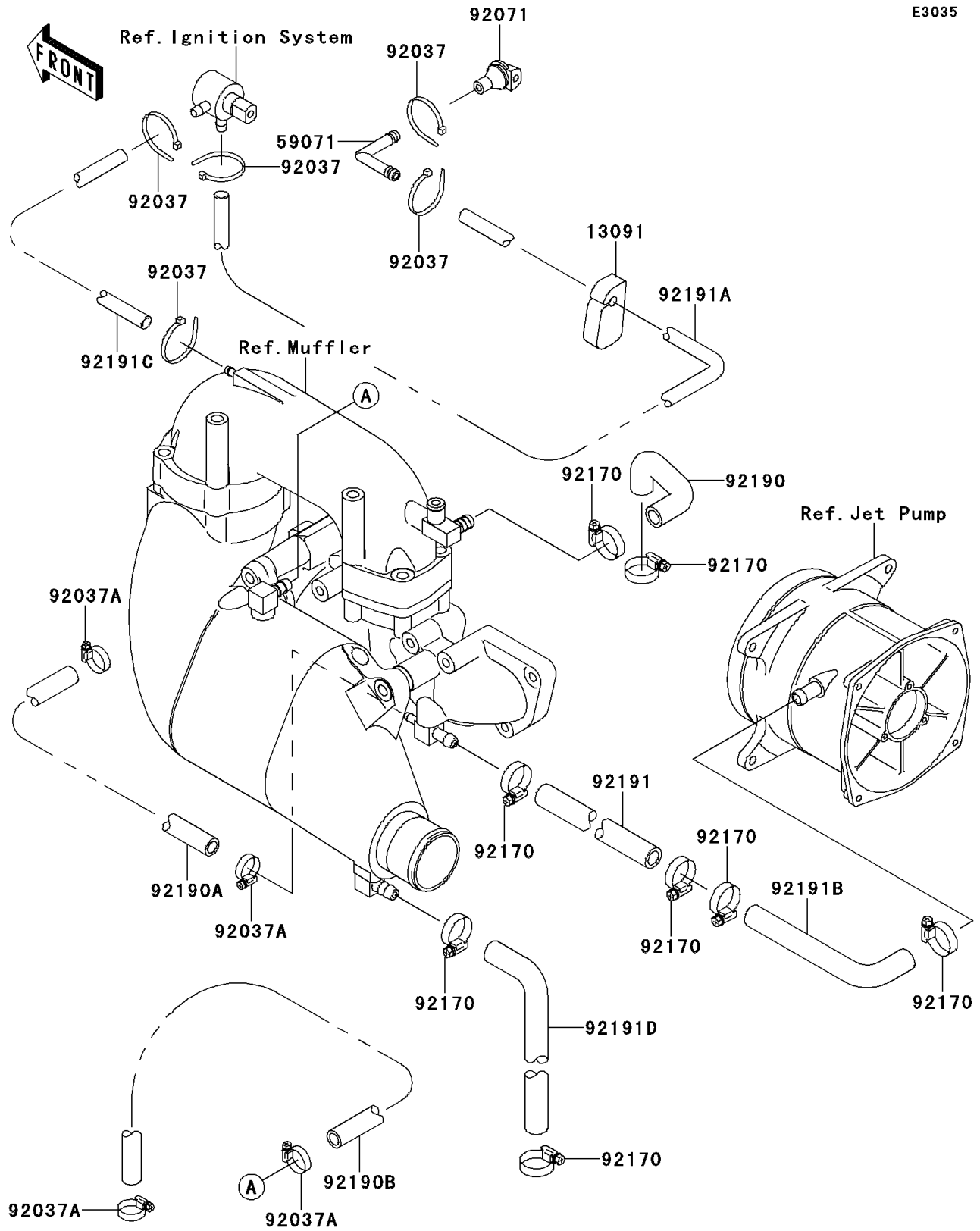


1999 JET SKI® 900 STX® PARTS DIAGRAM

Cooling

E3035



1999 JET SKI® 900 STX® PARTS LIST

Cooling

ITEM NAME	PART NUMBER	QUANTITY
HOLDER (Ref # 13091)	13091-3712	1
JOINT (Ref # 59071)	59071-3736	1
CLAMP (Ref # 92037)	92037-1173	1
CLAMP (Ref # 92037A)	92037-3726	1
GROMMET (Ref # 92071)	92071-3815	1
CLAMP (Ref # 92170)	92170-3718	1
TUBE,HEAD-EXHAUSTPIPE (Ref # 92190)	92190-3955	1
TUBE,MANIFOLD-COVER (Ref # 92190A)	92190-3974	1
TUBE,COVER-CHAMBER (Ref # 92190B)	92190-3975	1
TUBE,EXHAUSTMANIFOLD-HULL (Ref # 92191)	92191-3745	1
TUBE,SENSOR-DECK (Ref # 92191A)	92191-3748	1
TUBE,PUMP-HULL (Ref # 92191B)	92191-3785	1
TUBE,EXHAUST PIPE-SENSOR (Ref # 92191C)	92191-3803	1
TUBE,CHAMBER-TAIL PIPE (Ref # 92191D)	92191-3850	1