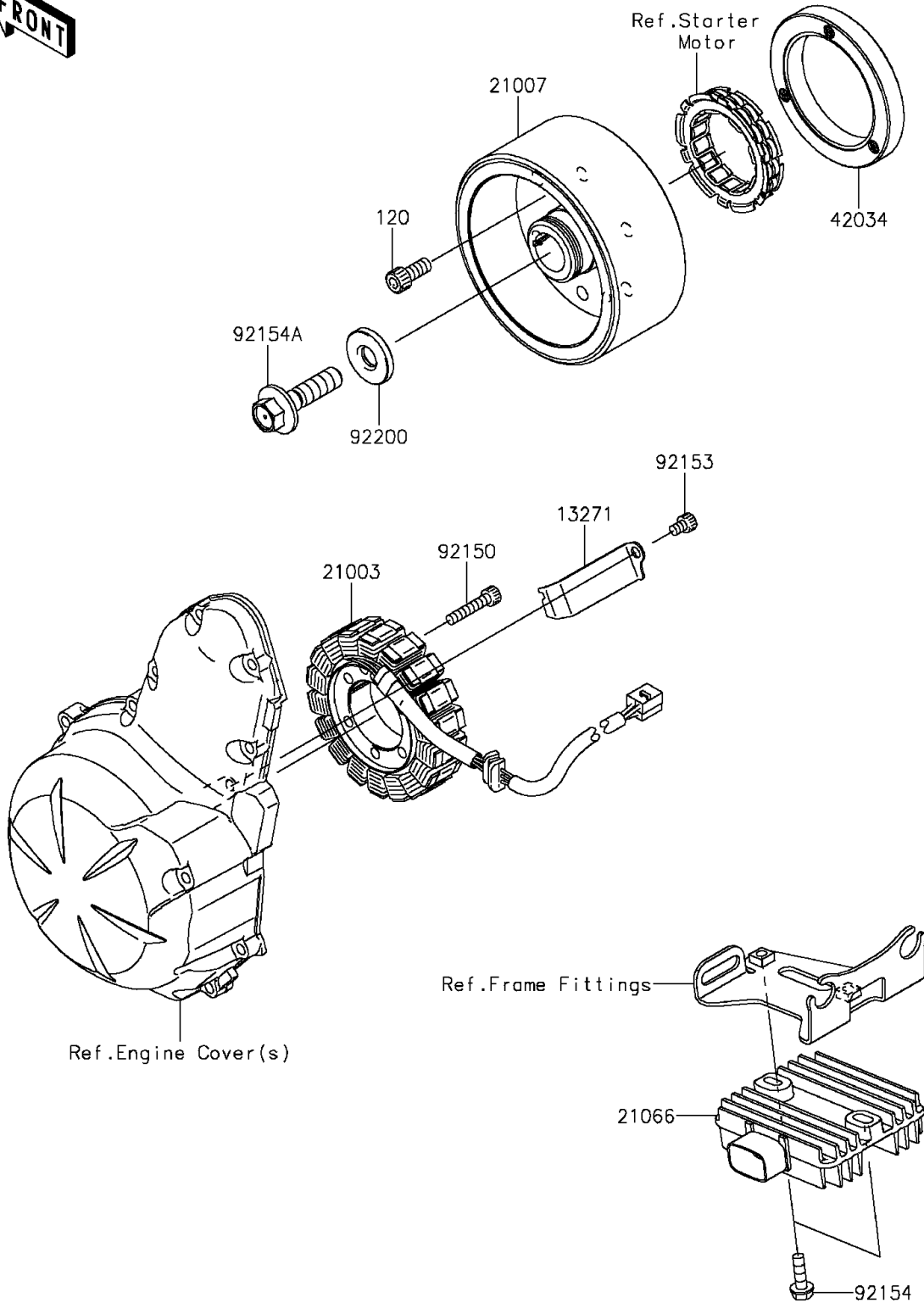


2012 ER-6n PARTS DIAGRAM

Generator

E1810



2012 ER-6n PARTS LIST

Generator

ITEM NAME	PART NUMBER	QUANTITY
BOLT-SOCKET,8X18 (Ref # 120)	120CA0818	1
PLATE (Ref # 13271)	13271-0952	1
STATOR (Ref # 21003)	21003-0118	1
ROTOR (Ref # 21007)	21007-0075	1
REGULATOR-VOLTAGE (Ref # 21066)	21066-0033	1
COUPLING (Ref # 42034)	42034-1143	1
BOLT,SOCKET,6X30 (Ref # 92150)	92150-1433	1
BOLT,SOCKET,6X8 (Ref # 92153)	92153-1414	1
BOLT,FLANGED,6X20 (Ref # 92154)	92154-0776	1
BOLT,FLANGED,12X45 (Ref # 92154A)	92154-1812	1
WASHER,12X33X5 (Ref # 92200)	92200-0220	1