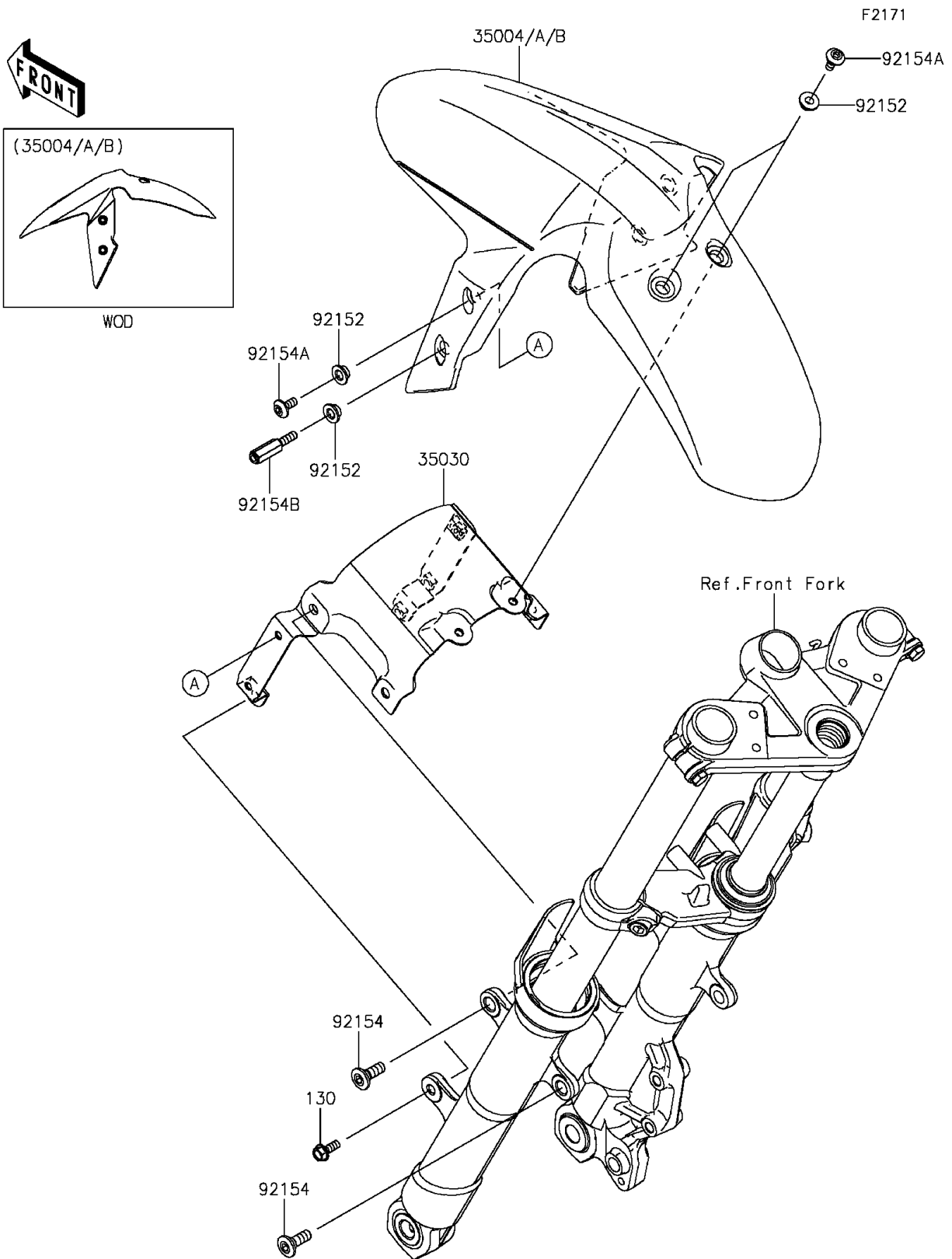


## 2015 NINJA® 300 ABS PARTS DIAGRAM

Front Fender(s)



## 2015 NINJA® 300 ABS PARTS LIST

Front Fender(s)

ITEM NAME	PART NUMBER	QUANTITY
BOLT-FLANGED,6X18 (Ref # 130)	130BA0618	1
FENDER-FRONT,P.S.WHITE (Ref # 35004A)	35004-0318-25Y	1
FENDER-FRONT,L.GREEN (Ref # 35004B)	35004-0318-777	1
BRACE-ASSY,FRONT FENDER (Ref # 35030)	35030-0055	1
COLLAR,6.8X10(16)X6.6 (Ref # 92152)	92152-0842	1
BOLT,SOCKET,8X23 (Ref # 92154)	92154-0300	1
BOLT,SOCKET,6X14 (Ref # 92154A)	92154-0932	1
BOLT,6X20 (Ref # 92154B)	92154-1020	1