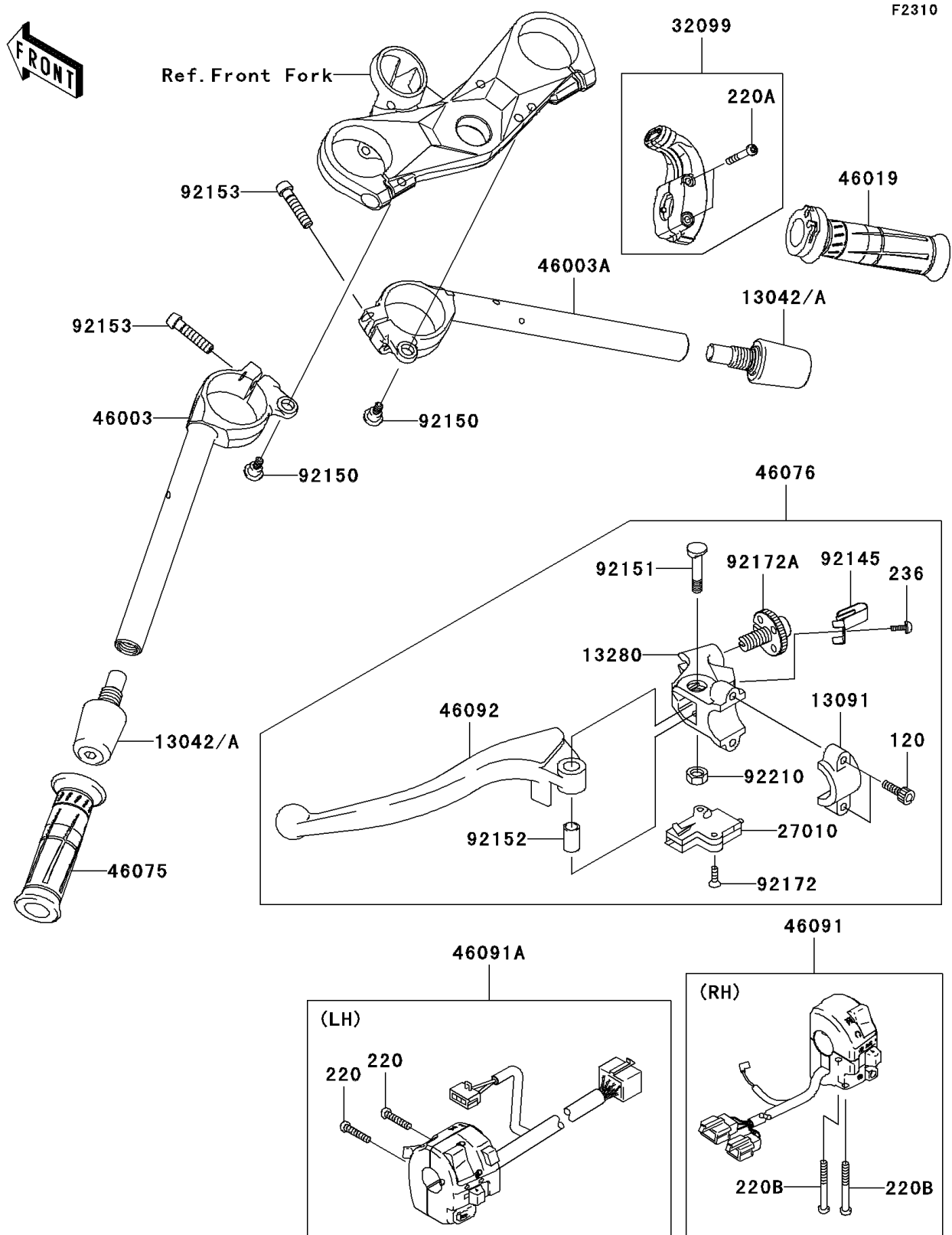


2008 NINJA® ZX™-10R PARTS DIAGRAM

Handlebar



2008 NINJA® ZX™-10R PARTS LIST

Handlebar

ITEM NAME	PART NUMBER	QUANTITY
BOLT-SOCKET,6X20 (Ref # 120)	120CA0620	1
SCREW-PAN-CROS,5X25 (Ref # 220)	220AB0525	1
SCREW-PAN-CROSS,5X35 (Ref # 220A)	220AB0535	1
SCREW-PAN-CROSS,5X45 (Ref # 220B)	220AB0545	1
SCREW-PAN-WSP-CROS,4X10 (Ref # 236)	236AB0410	1
WEIGHT,HANDLE (Ref # 13042)	13042-0029	1
HOLDER,CLUTCH LEVER (Ref # 13091)	13091-1624	1
HOLDER,CLUTCH LEVER (Ref # 13280)	13280-1160	1
SWITCH,CLUTCH (Ref # 27010)	27010-1492	1
CASE,THROTTLE CABLE (Ref # 32099)	32099-1193	1
HANDLE,LH (Ref # 46003)	46003-0144	1
HANDLE,RH (Ref # 46003A)	46003-0145	1
GRIP-ASSY,THROTTLE (Ref # 46019)	46019-0020	1
GRIP,LH (Ref # 46075)	46075-0068	1
LEVER-ASSY-GRIP,CLUTCH (Ref # 46076)	46076-0033	1
HOUSING-ASSY-CONTROL,RH (Ref # 46091)	46091-0114	1
HOUSING-ASSY-CONTROL,LH (Ref # 46091A)	46091-0116	1
LEVER-GRIP,CLUTCH (Ref # 46092)	46092-0006	1
SPRING (Ref # 92145)	92145-1286	1
BOLT,6MM (Ref # 92150)	92150-1090	1
BOLT (Ref # 92151)	92151-1523	1
COLLAR (Ref # 92152)	92152-0103	1
BOLT,SOCKET,8X35 (Ref # 92153)	92153-0907	1
SCREW,3X16 (Ref # 92172)	92172-0183	1
SCREW,ADJUST NUT (Ref # 92172A)	92172-1060	1
NUT,LOCK,6MM (Ref # 92210)	92210-0006	1