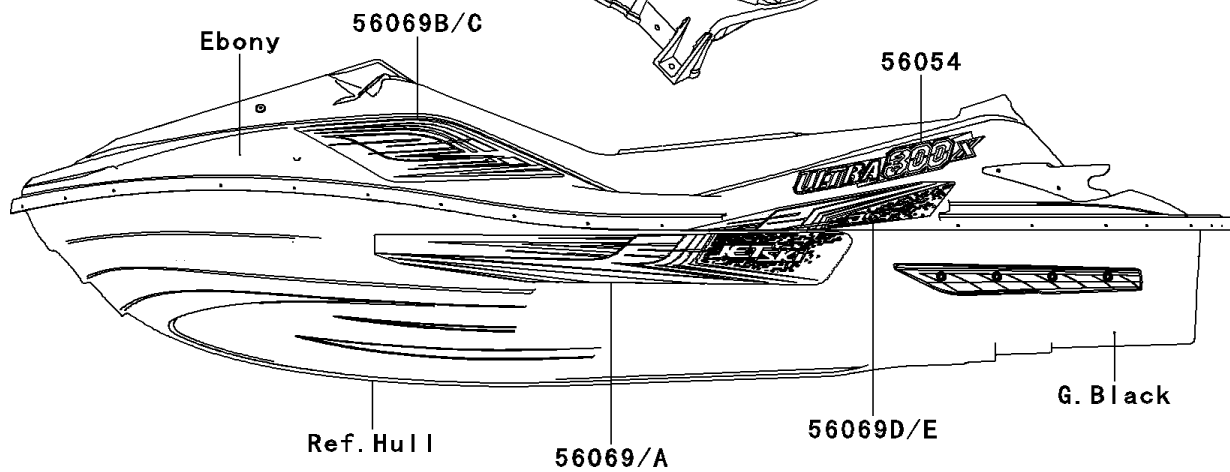
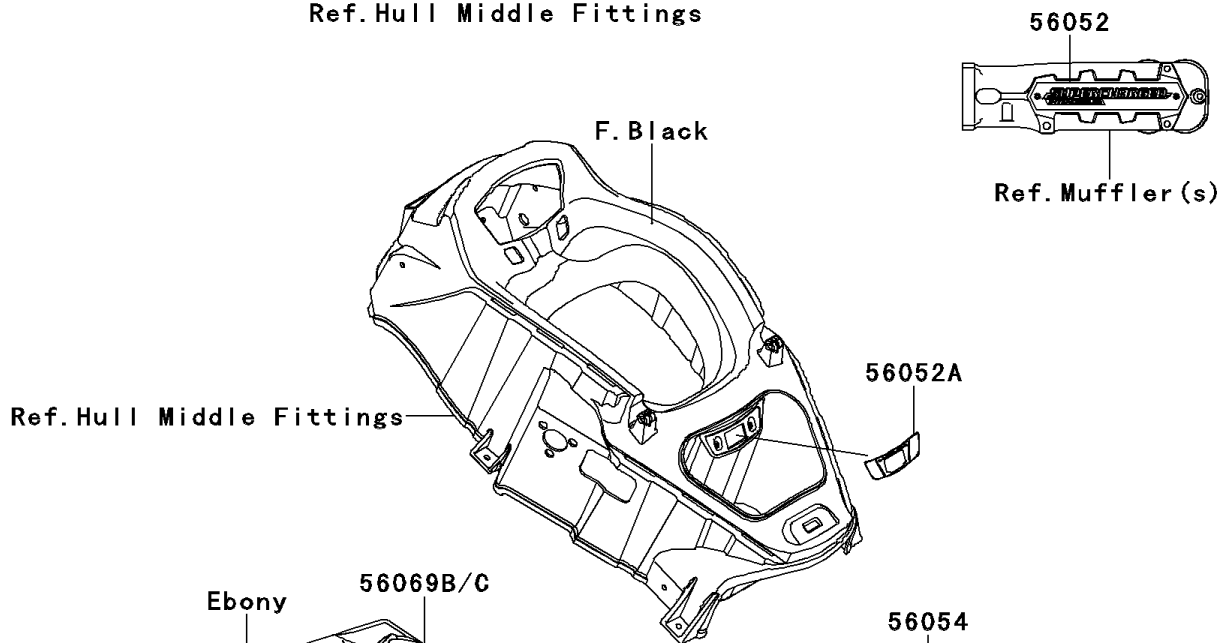
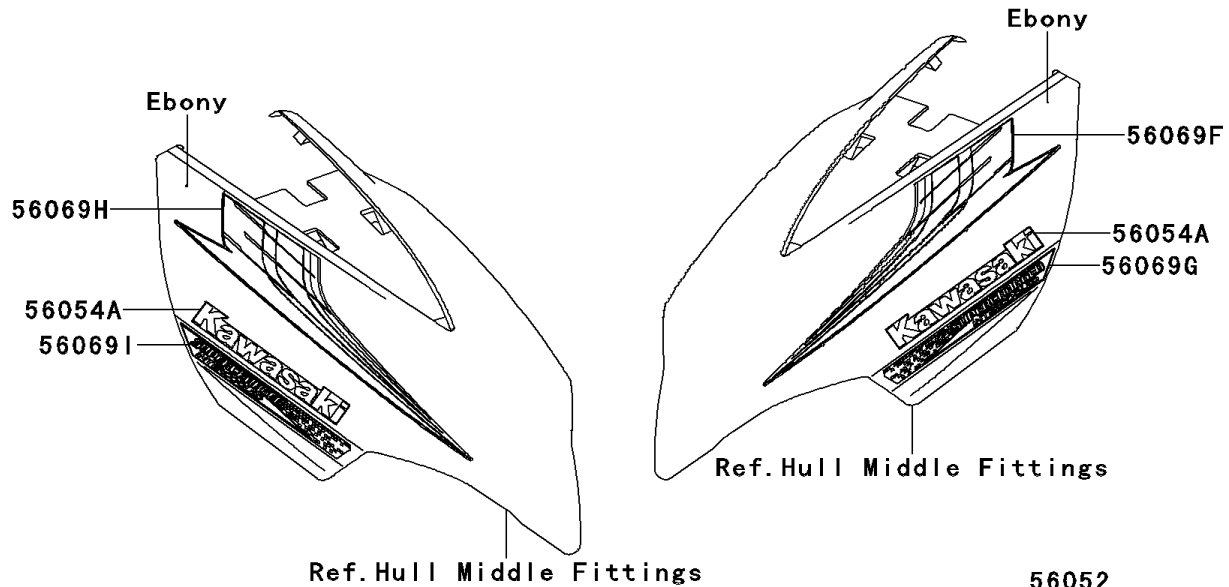


2013 Jet Ski® Ultra® 300X PARTS DIAGRAM

Decals(Green)

F3880



2013 Jet Ski® Ultra® 300X PARTS LIST

Decals(Green)

| ITEM NAME | PART NUMBER | QUANTITY |
|---|-------------|----------|
| MARK,SUPERCHARGED (Ref # 56052) | 56052-3877 | 1 |
| MARK,IMMOBILIZER (Ref # 56052A) | 56052-3878 | 1 |
| MARK,DECK,ULTRA300X (Ref # 56054) | 56054-1039 | 1 |
| MARK,HATCH COVER,KAWASAKI (Ref # 56054A) | 56054-1045 | 1 |
| PATTERN,HULL,LH (Ref # 56069) | 56069-2339 | 1 |
| PATTERN,HULL,RH (Ref # 56069A) | 56069-2340 | 1 |
| PATTERN,DECK,FR,LH (Ref # 56069B) | 56069-2341 | 1 |
| PATTERN,DECK,FR,RH (Ref # 56069C) | 56069-2342 | 1 |
| PATTERN,DECK,RR,LH (Ref # 56069D) | 56069-2343 | 1 |
| PATTERN,DECK,RR,RH (Ref # 56069E) | 56069-2344 | 1 |
| PATTERN,HATCH COVER,UPP,LH (Ref # 56069F) | 56069-2345 | 1 |
| PATTERN,HATCH COVER,LWR,LH (Ref # 56069G) | 56069-2346 | 1 |
| PATTERN,HATCH COVER,UPP,RH (Ref # 56069H) | 56069-2347 | 1 |
| PATTERN,HATCH COVER,LWR,RH (Ref # 56069I) | 56069-2348 | 1 |