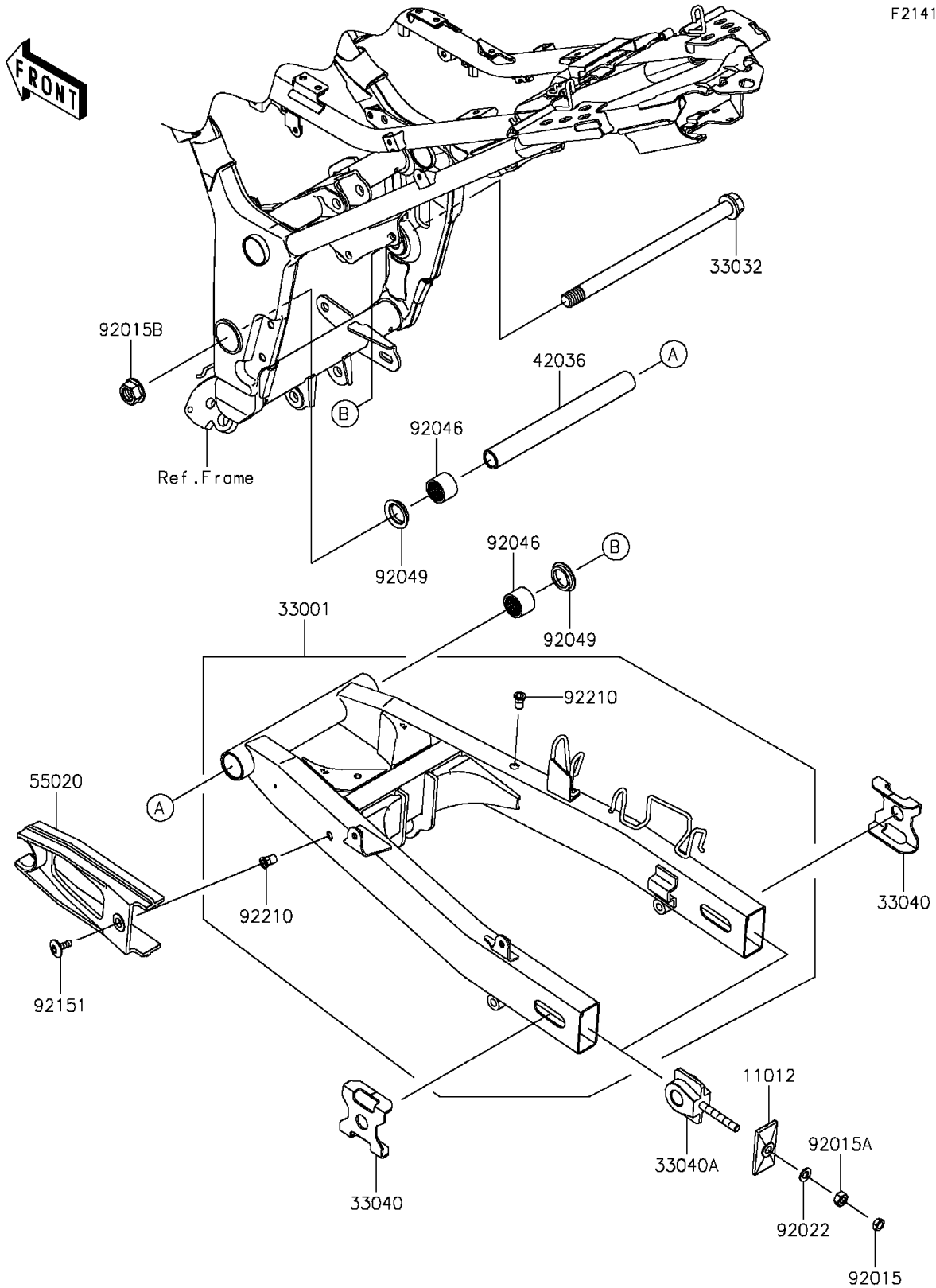


2015 NINJA® 300 PARTS DIAGRAM

Swingarm

F2141



2015 NINJA® 300 PARTS LIST

Swingarm

| ITEM NAME | PART NUMBER | QUANTITY |
|--|----------------|----------|
| CAP,CHAIN ADJUSTER,F.S.BLACK (Ref # 11012) | 11012-1871-18R | 1 |
| ARM-COMP-SWING,F.S.BLACK (Ref # 33001) | 33001-0632-18R | 1 |
| SHAFT-SWING ARM (Ref # 33032) | 33032-1134 | 1 |
| ADJUSTER-CHAIN,OUTER,F.S.BLACK (Ref # 33040) | 33040-0030-18R | 1 |
| ADJUSTER-CHAIN,INNER (Ref # 33040A) | 33040-1116 | 1 |
| SLEEVE,16.1X22X213 (Ref # 42036) | 42036-1218 | 1 |
| GUARD,CHAIN (Ref # 55020) | 55020-0317 | 1 |
| NUT,8MM (Ref # 92015) | 92015-1364 | 1 |
| NUT,8MM (Ref # 92015A) | 92015-1658 | 1 |
| NUT,FLANGED,16MM (Ref # 92015B) | 92015-1946 | 1 |
| WASHER,8.5X16X1.2 (Ref # 92022) | 92022-1582 | 1 |
| BEARING-NEEDLE,22X28X20 (Ref # 92046) | 92046-0610 | 1 |
| SEAL-OIL,MHA22 28 5.7F (Ref # 92049) | 92049-1254 | 1 |
| BOLT,SOCKET,6X18 (Ref # 92151) | 92151-1149 | 1 |
| NUT,POP,6MM,L=15 (Ref # 92210) | 92210-1397 | 1 |