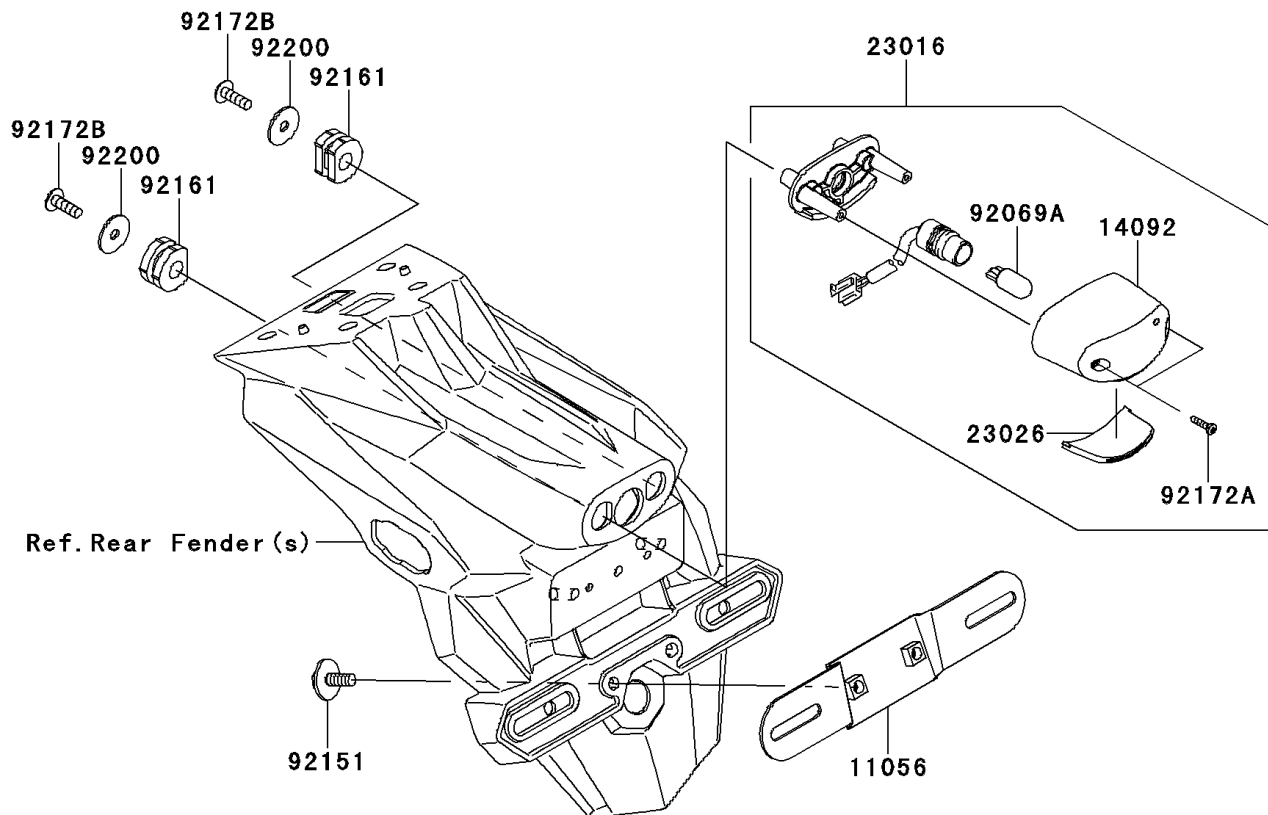
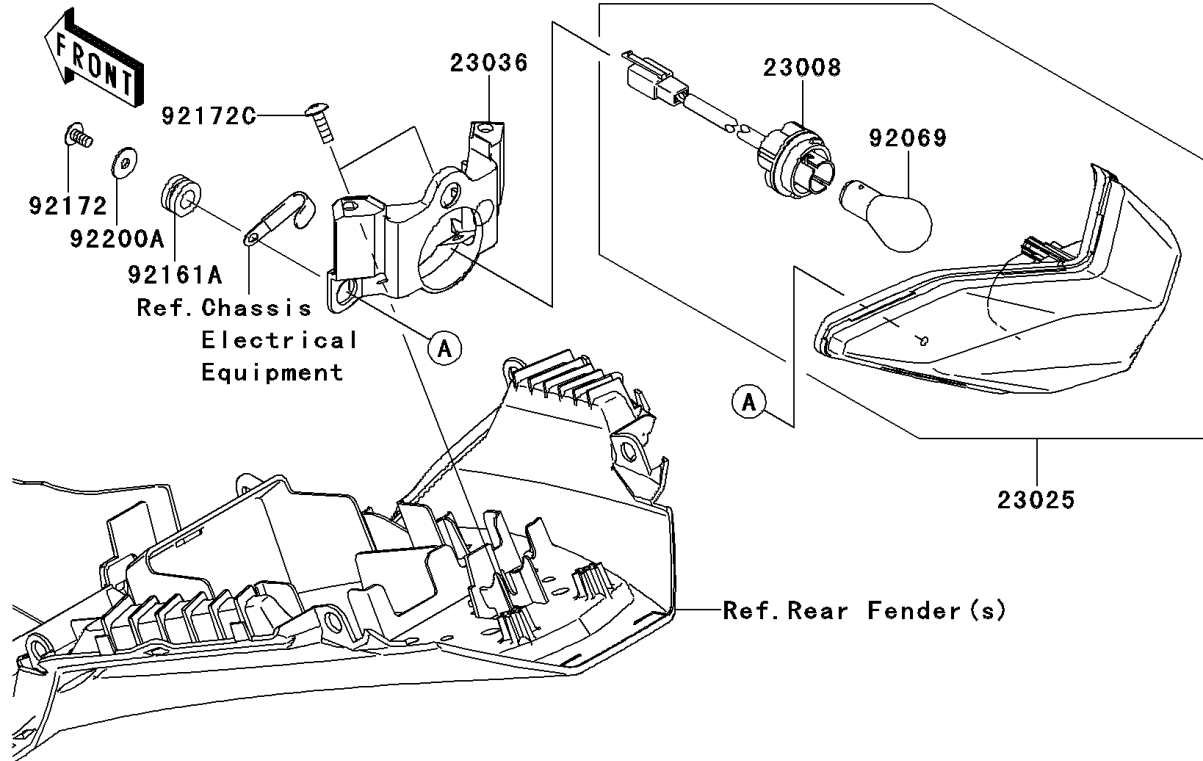


2014 NINJA® 300 ABS PARTS DIAGRAM

Taillight(s)

F2720



2014 NINJA® 300 ABS PARTS LIST

Taillight(s)

| ITEM NAME | PART NUMBER | QUANTITY |
|-------------------------------------|-------------|----------|
| BRACKET,LICENSE PLATE (Ref # 11056) | 11056-0139 | 1 |
| COVER,LICENSE LAMP (Ref # 14092) | 14092-0001 | 1 |
| SOCKET-ASSY (Ref # 23008) | 23008-0138 | 1 |
| LAMP-ASSY,LICENSE (Ref # 23016) | 23016-0557 | 1 |
| LAMP-TAIL (Ref # 23025) | 23025-0326 | 1 |
| LENS,LICENSE LAMP (Ref # 23026) | 23026-0015 | 1 |
| BRACKET-TAIL LAMP (Ref # 23036) | 23036-0304 | 1 |
| BULB,12V 21/5W (Ref # 92069) | 92069-063 | 1 |
| BULB,12V 5W (Ref # 92069A) | 92069-1016 | 1 |
| BOLT,6X25 (Ref # 92151) | 92151-1241 | 1 |
| DAMPER (Ref # 92161) | 92161-0776 | 1 |
| DAMPER (Ref # 92161A) | 92161-1462 | 1 |
| SCREW,TAPPING,5X10 (Ref # 92172) | 92172-0262 | 1 |
| SCREW,TAPPING,2.9X13 (Ref # 92172A) | 92172-0343 | 1 |
| SCREW,TAPPING,5X16 (Ref # 92172B) | 92172-0427 | 1 |
| SCREW,TAPPING,5X16 (Ref # 92172C) | 92172-0742 | 1 |
| WASHER,5.5X20X1.2 (Ref # 92200) | 92200-0284 | 1 |
| WASHER,5.2X16X1.2 (Ref # 92200A) | 92200-0583 | 1 |