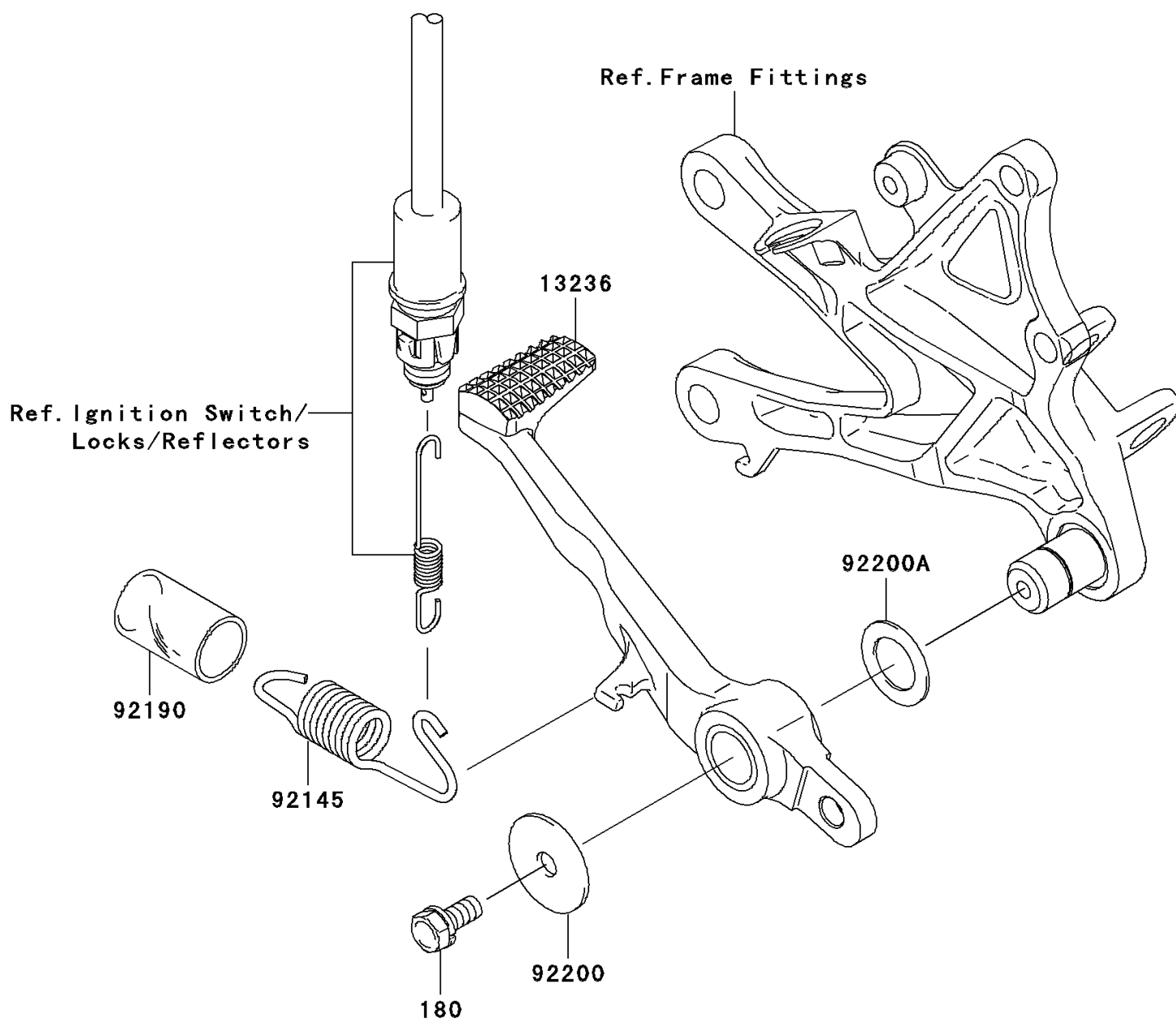


2008 NINJA® ZX™-10R PARTS DIAGRAM

Brake Pedal/Torque Link

F2260



2008 NINJA® ZX™-10R PARTS LIST

Brake Pedal/Torque Link

ITEM NAME	PART NUMBER	QUANTITY
BOLT-UPSET-WS,6X14 (Ref # 180)	180BA0614	1
LEVER-COMP,BRAKE PEDAL (Ref # 13236)	13236-0146	1
SPRING,BRAKE PEDAL RETURN (Ref # 92145)	92145-0230	1
TUBE,16X19X30 (Ref # 92190)	92190-1185	1
WASHER,7X28X1.6 (Ref # 92200)	92200-0279	1
WASHER,15.3X24X1.0 (Ref # 92200A)	92200-0280	1