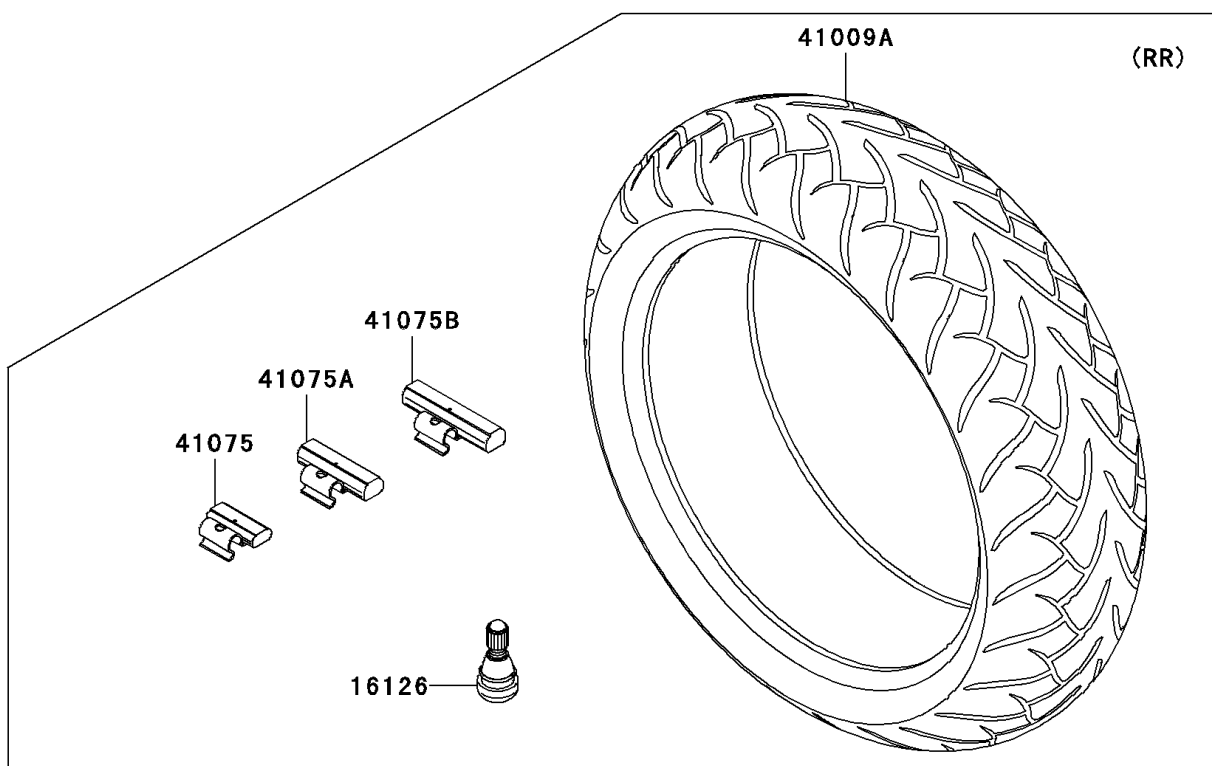
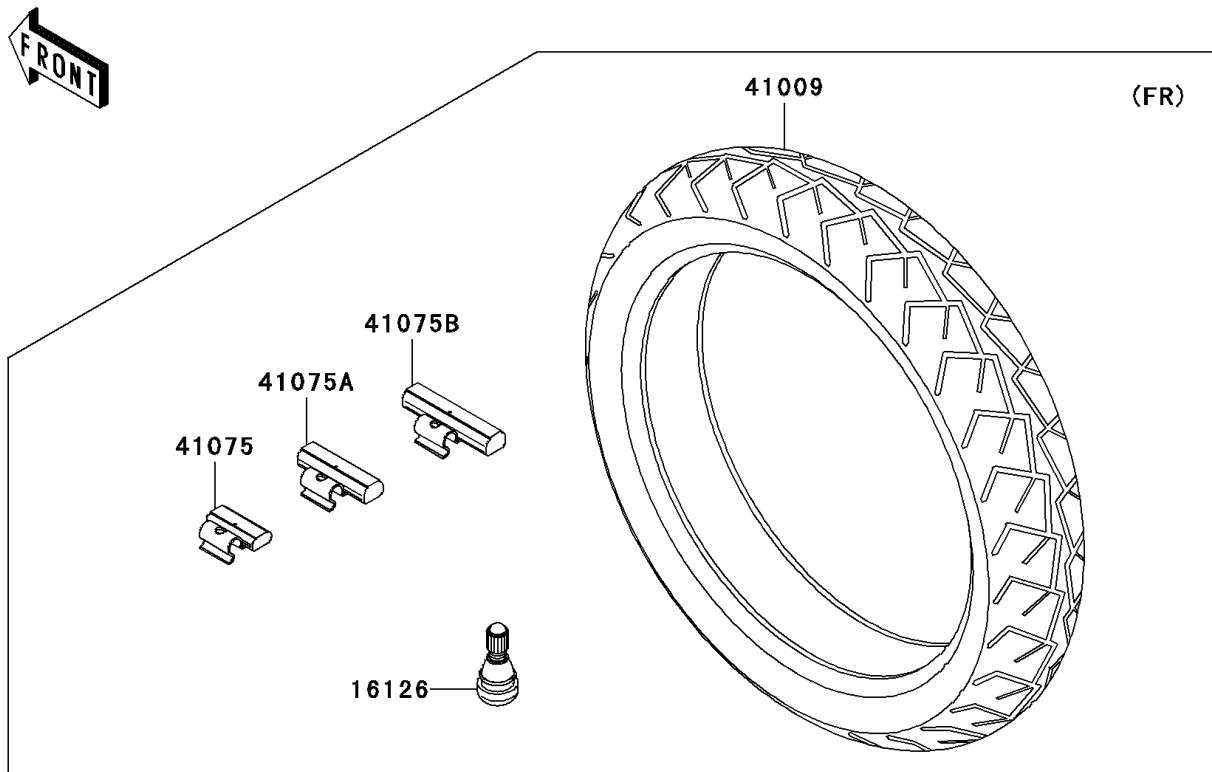


## 2008 NINJA® ZX™-10R PARTS DIAGRAM

Tires(CN)

F2210A



## 2008 NINJA® ZX™-10R PARTS LIST

Tires(CN)

| ITEM NAME                                | PART NUMBER | QUANTITY |
|--|-------------|----------|
| VALVE,TIRE (Ref # 16126)                 | 16126-1140  | 1        |
| TIRE,FR,120/70ZR17(58W) (Ref # 41009)    | 41009-0186  | 1        |
| TIRE,RR,190/55ZR17(75W) (Ref # 41009A)   | 41009-0187  | 1        |
| BALANCER-WHEEL,10G,SILVER (Ref # 41075)  | 41075-0007  | 1        |
| BALANCER-WHEEL,20G,SILVER (Ref # 41075A) | 41075-0008  | 1        |
| BALANCER-WHEEL,30G,SILVER (Ref # 41075B) | 41075-0009  | 1        |