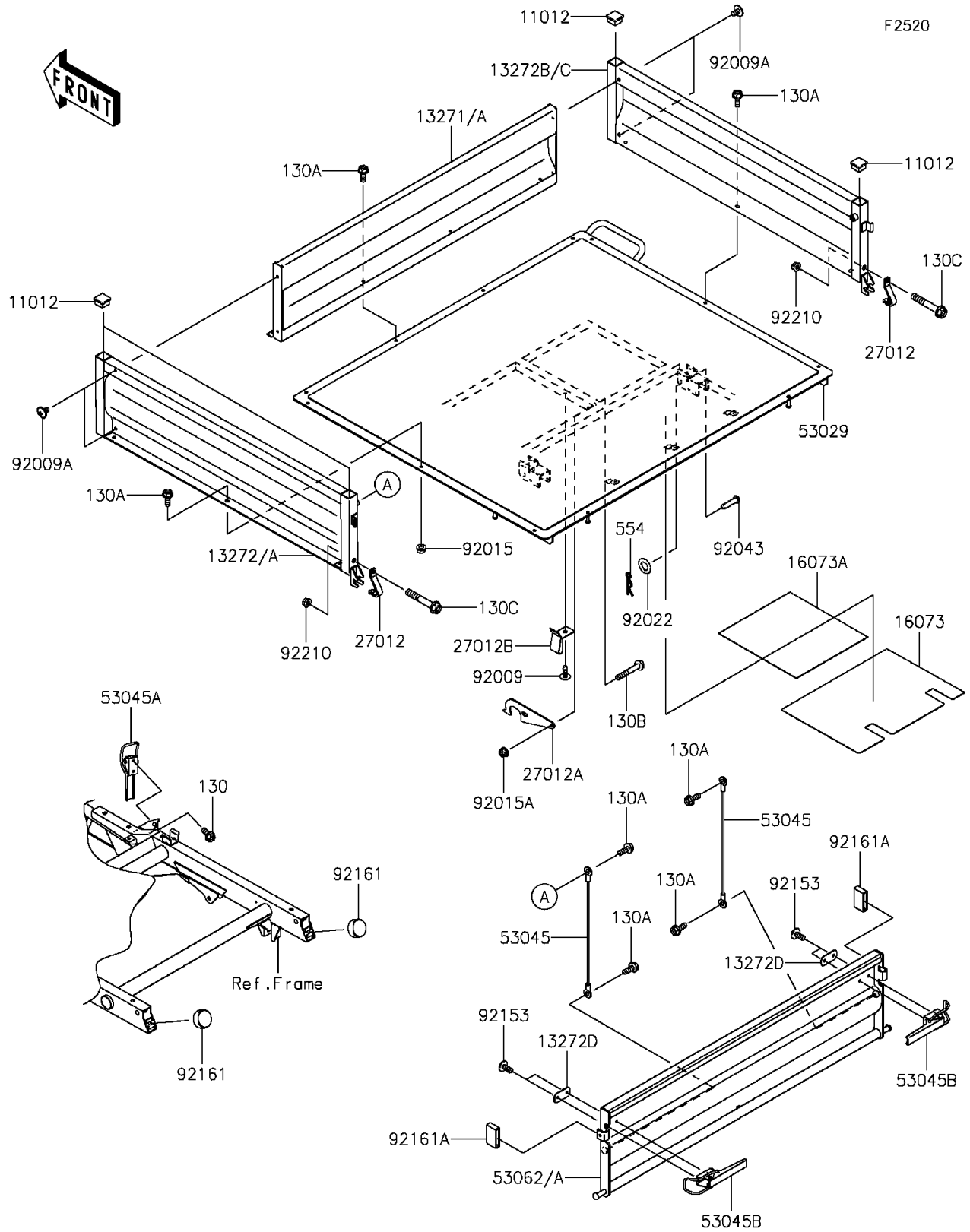


## 2016 MULE™ 610 4X4 PARTS DIAGRAM

Carrier(s)



## 2016 MULE™ 610 4X4 PARTS LIST

Carrier(s)

ITEM NAME	PART NUMBER	QUANTITY
BOLT-FLANGED,6X14 (Ref # 130)	130BA0614	1
BOLT-FLANGED,6X16 (Ref # 130A)	130BB0616	1
BOLT-FLANGED,6X40 (Ref # 130B)	130BB0640	1
BOLT-FLANGED,8X50 (Ref # 130C)	130BB0850	1
PIN-SNAP,12MM (Ref # 554)	554DA1200	1
CAP (Ref # 11012)	11012-1784	1
PLATE,CARRIER,SIDE,FR,T.GREEN (Ref # 13271A)	13271-0394-42T	1
PLATE,LH,T.GREEN (Ref # 13272A)	13272-1134-42T	1
PLATE,RH,T.GREEN (Ref # 13272C)	13272-1135-42T	1
PLATE (Ref # 13272D)	13272-7516	1
INSULATOR,CARRIER (Ref # 16073)	16073-0040	1
INSULATOR (Ref # 16073A)	16073-7501	1
HOOK,TAIL GATE (Ref # 27012)	27012-0022	1
HOOK (Ref # 27012A)	27012-0044	1
HOOK,CARRIER (Ref # 27012B)	27012-1445	1
CARRIER,BLACK (Ref # 53029)	53029-0088-10	1
HOOK-ASSY,TAIL GATE (Ref # 53045)	53045-0006	1
HOOK-ASSY (Ref # 53045A)	53045-1063	1
HOOK-ASSY (Ref # 53045B)	53045-7503	1
GATE-TAIL,T.GREEN (Ref # 53062A)	53062-0303-42T	1
SCREW,TAPPING,6X16 (Ref # 92009)	92009-1166	1
SCREW,6X10 (Ref # 92009A)	92009-1661	1
NUT,FLANGED,6MM,BLACK (Ref # 92015)	92015-1233	1
NUT,LOCK,FLANGED,6MM (Ref # 92015A)	92015-1675	1
WASHER,12.5X22X1.2 (Ref # 92022)	92022-072	1
PIN,12X54 (Ref # 92043)	92043-1451	1
BOLT,SOCKET,6X14 (Ref # 92153)	92153-1361	1
DAMPER,SEAT (Ref # 92161)	92161-1065	1
DAMPER (Ref # 92161A)	92161-7519	1

## 2016 MULE™ 610 4X4 PARTS LIST

Carrier(s)

ITEM NAME	PART NUMBER	QUANTITY
NUT,FLANGED,8MM (Ref # 92210)	92210-0555	1
PLATE,CARRIER,SIDE,FR,D.R.RED (Ref # 13271)	13271-0394-16M	1
PLATE,LH,D.R.RED (Ref # 13272)	13272-1134-16M	1
PLATE,RH,D.R.RED (Ref # 13272B)	13272-1135-16M	1
GATE-TAIL,D.R.RED (Ref # 53062)	53062-0303-16M	1