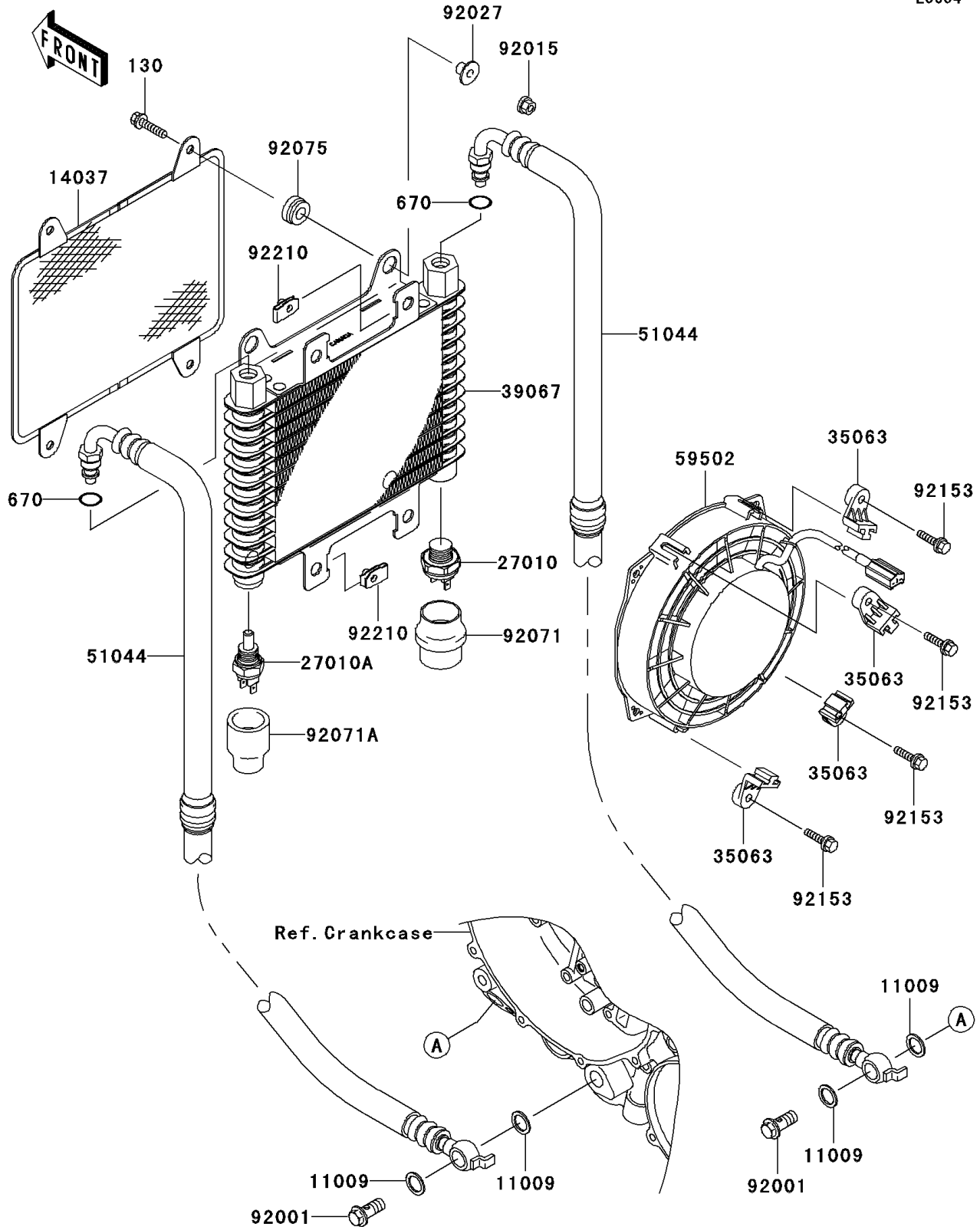


2003 Prairie® 360 4x4 Advantage Classic PARTS DIAGRAM

Oil Cooler(C1)

E3034



2003 Prairie® 360 4x4 Advantage Classic PARTS LIST

Oil Cooler(C1)

ITEM NAME	PART NUMBER	QUANTITY
BOLT-FLANGED,6X25 (Ref # 130)	130J0625	1
O RING,8MM (Ref # 670)	670D1508	1
GASKET,14X19.5X1.4 (Ref # 11009)	11009-1461	1
SCREEN,OIL COOLER (Ref # 14037)	14037-1313	1
SWITCH (Ref # 27010)	27010-1428	1
SWITCH,OIL COOLER,LH (Ref # 27010A)	27010-1472	1
STAY (Ref # 35063)	35063-1212	1
COOLER-OIL (Ref # 39067)	39067-1070	1
TUBE-ASSY,L=1080 (Ref # 51044)	51044-1227	1
FAN-ASSY (Ref # 59502)	59502-1138	1
BOLT,14X28.5 (Ref # 92001)	92001-1930	1
NUT,FLANGED,6MM (Ref # 92015)	92015-1193	1
COLLAR (Ref # 92027)	92027-1767	1
GROMMET,SWITCH OIL COOLER,RH (Ref # 92071)	92071-1272	1
GROMMET,SWITCH OIL COOLER,LH (Ref # 92071A)	92071-1273	1
DAMPER (Ref # 92075)	92075-277	1
BOLT (Ref # 92153)	92153-1087	1
NUT (Ref # 92210)	92210-1331	1