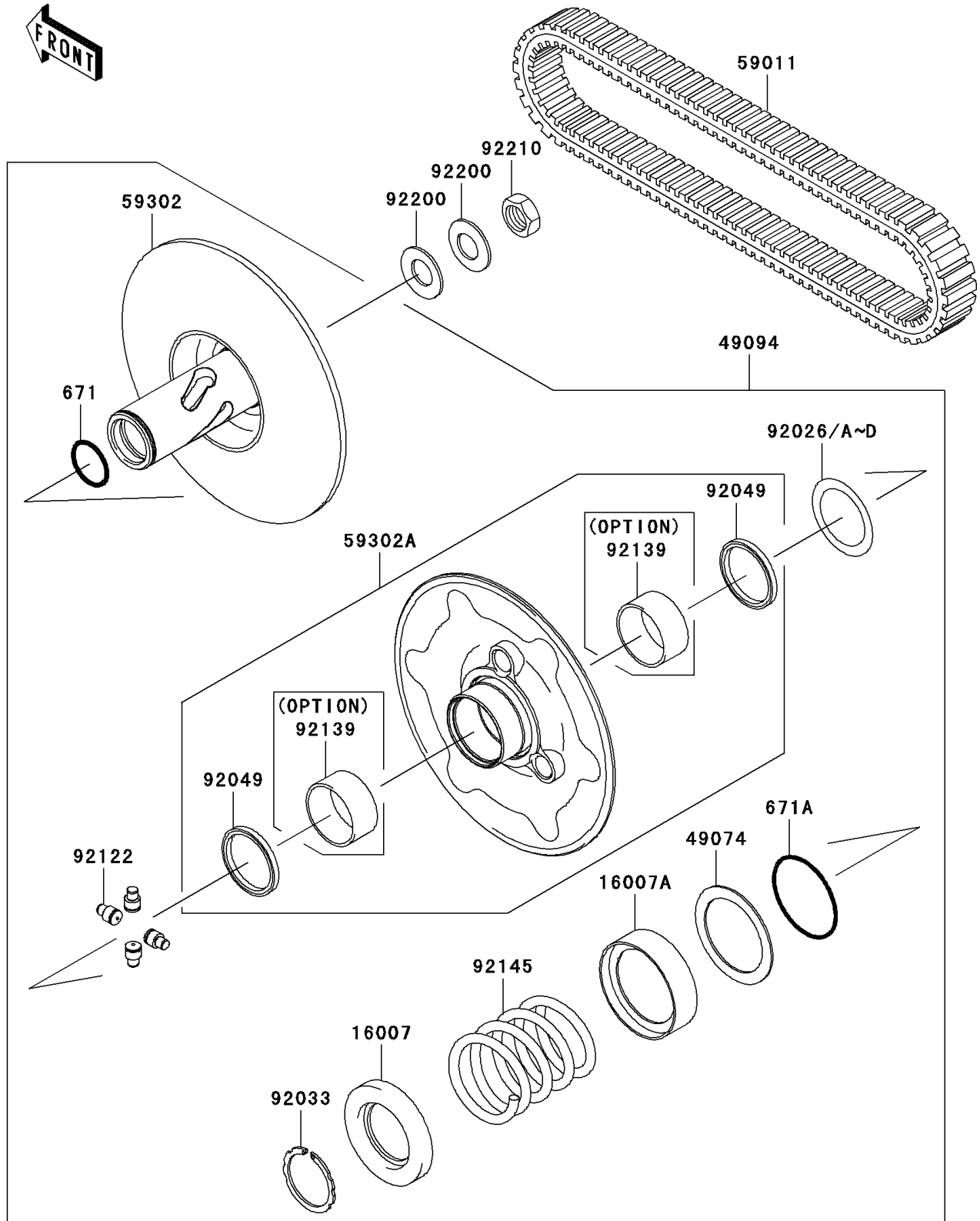


## 2003 Prairie® 360 4x4 Advantage Classic PARTS DIAGRAM

Driven Converter(C1)

E1392



## 2003 Prairie® 360 4x4 Advantage Classic PARTS LIST

Driven Converter(C1)

ITEM NAME	PART NUMBER	QUANTITY
O RING (Ref # 671)	671D2530	1
O RING (Ref # 671A)	671D2550	1
SEAT-SPRING (Ref # 16007)	16007-1203	1
SEAT-SPRING,SHEAVE MOVABLE (Ref # 16007A)	16007-1221	1
PLATE-THRUST (Ref # 49074)	49074-1055	1
CONVERTER-ASSY-DRIVEN (Ref # 49094)	49094-1097	1
BELT (Ref # 59011)	59011-1084	1
SHEAVE-COMP,FIXED (Ref # 59302)	59302-1097	1
SHEAVE-COMP,MOVABLE (Ref # 59302A)	59302-1098	1
SPACER,T=0.3 (Ref # 92026)	92026-0034	1
SPACER,T=1.00 (Ref # 92026A)	92026-1565	1
SPACER,T=0.60 (Ref # 92026B)	92026-1569	1
SPACER,T=1.40 (Ref # 92026C)	92026-1570	1
SPACER,T=0.8 (Ref # 92026D)	92026-1617	1
RING-SNAP (Ref # 92033)	92033-1317	1
SEAL-OIL (Ref # 92049)	92049-1528	1
ROLLER (Ref # 92122)	92122-1209	1
BUSHING (Ref # 92139)	92139-1078	1
SPRING,PURPLE (Ref # 92145)	92145-1499	1
WASHER (Ref # 92200)	92200-1505	1
NUT,18MM (Ref # 92210)	92210-1367	1