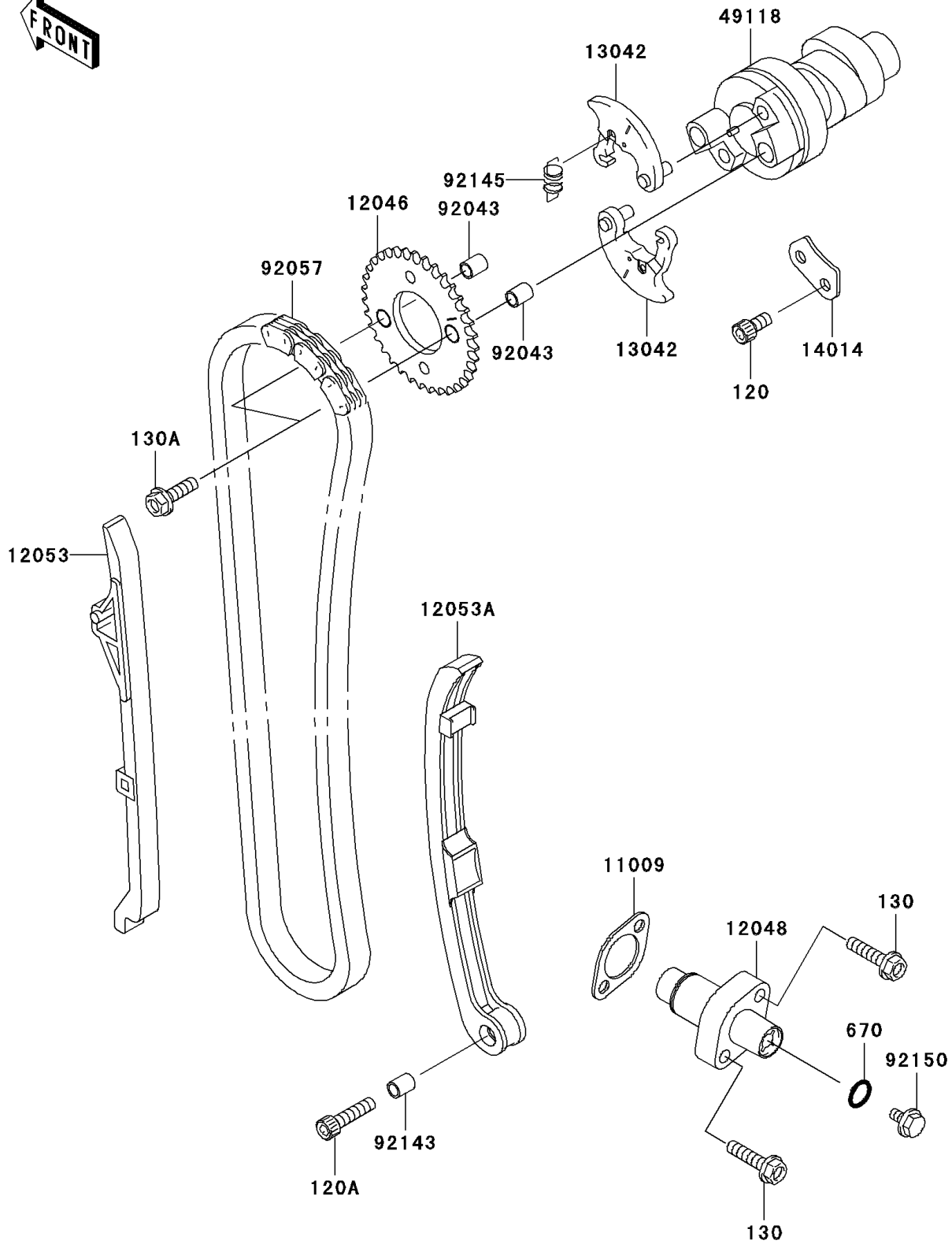


## 2003 Prairie® 360 4x4 Advantage Classic PARTS DIAGRAM

Camshaft(s)/Tensioner

E1230



## 2003 Prairie® 360 4x4 Advantage Classic PARTS LIST

Camshaft(s)/Tensioner

| ITEM NAME                             | PART NUMBER | QUANTITY |
|---------------------------------------|-------------|----------|
| BOLT-SOCKET,6X12 (Ref # 120)          | 120P0612    | 1        |
| BOLT-SOCKET,6X25 (Ref # 120A)         | 120P0625    | 1        |
| BOLT-FLANGED,6X25 (Ref # 130)         | 130J0625    | 1        |
| BOLT-FLANGED (Ref # 130A)             | 130Z0620    | 1        |
| O RING (Ref # 670)                    | 670D2010    | 1        |
| GASKET,TENSIONER (Ref # 11009)        | 11009-1858  | 1        |
| SPROCKET (Ref # 12046)                | 12046-1210  | 1        |
| TENSIONER-ASSY (Ref # 12048)          | 12048-1193  | 1        |
| GUIDE-CHAIN,FR (Ref # 12053)          | 12053-1423  | 1        |
| GUIDE-CHAIN,TENSIONER (Ref # 12053A)  | 12053-1451  | 1        |
| WEIGHT,DECOMP (Ref # 13042)           | 13042-1149  | 1        |
| PLATE-POSITION (Ref # 14014)          | 14014-1095  | 1        |
| CAMSHAFT-COMP (Ref # 49118)           | 49118-1217  | 1        |
| PIN,DOWEL,8X10 (Ref # 92043)          | 92043-1302  | 1        |
| CHAIN,CAM,82RH2010-118L (Ref # 92057) | 92057-1256  | 1        |
| COLLAR,6X8X10.2 (Ref # 92143)         | 92143-1253  | 1        |
| SPRING,DECOMP (Ref # 92145)           | 92145-1495  | 1        |
| BOLT,TENSIONER (Ref # 92150)          | 92150-1381  | 1        |