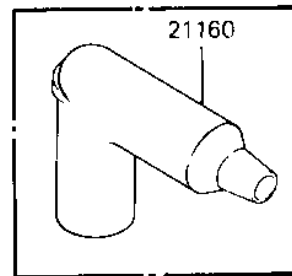
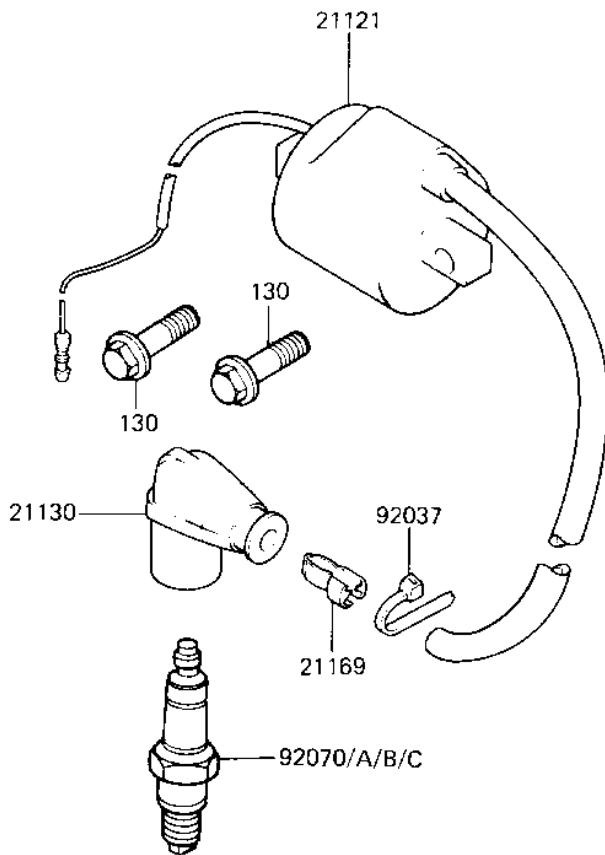
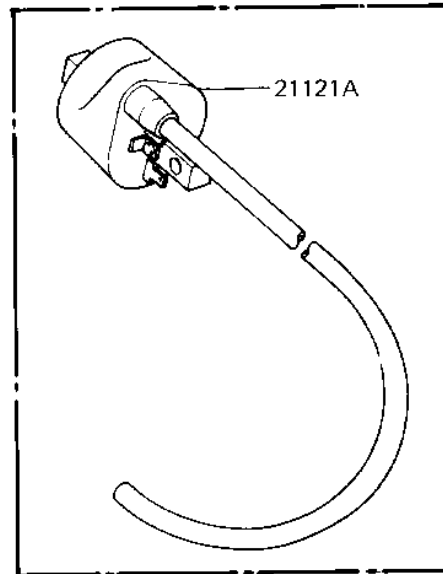
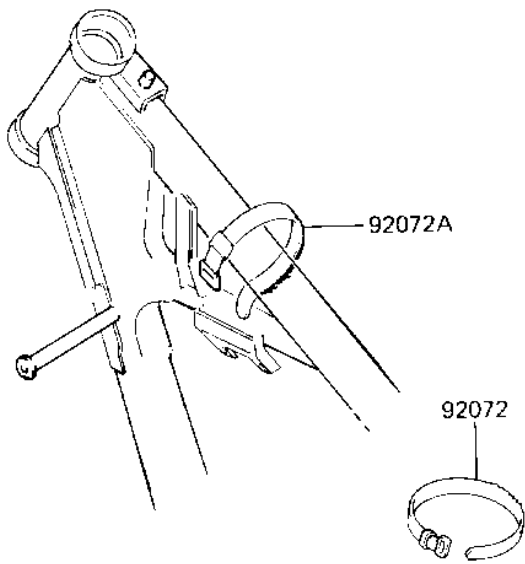


1982 KX™125 PARTS DIAGRAM

IGNITION COIL

E1830-0138



1982 KX™125 PARTS LIST

IGNITION COIL

ITEM NAME	PART NUMBER	QUANTITY
COIL-IGNITION (Ref # 21121)	21121-1056	1
CAP,SPARK PLUG (Ref # 21130)	21130-1006	1
CAP ASSY,SPARK PLUG (Ref # 21160)	21160-1009	1
TERMINAL,PLUG CAP (Ref # 21169)	21169-001	1
CLAMP,SPARK PLUG CAP (Ref # 92037)	92037-1173	1
SPARK PLUG B9EV (Ref # 92070)	B9EV	1
UNAVAILABLE IN PRICE BOOK (Ref # 92070A)	92070-1054	1
BAND,SHORT (Ref # 92072)	92072-030	1
BAND,LONG (Ref # 92072A)	92072-032	1
BOLT-FLANGED,6X16 (Ref # 130)	130G0616	1