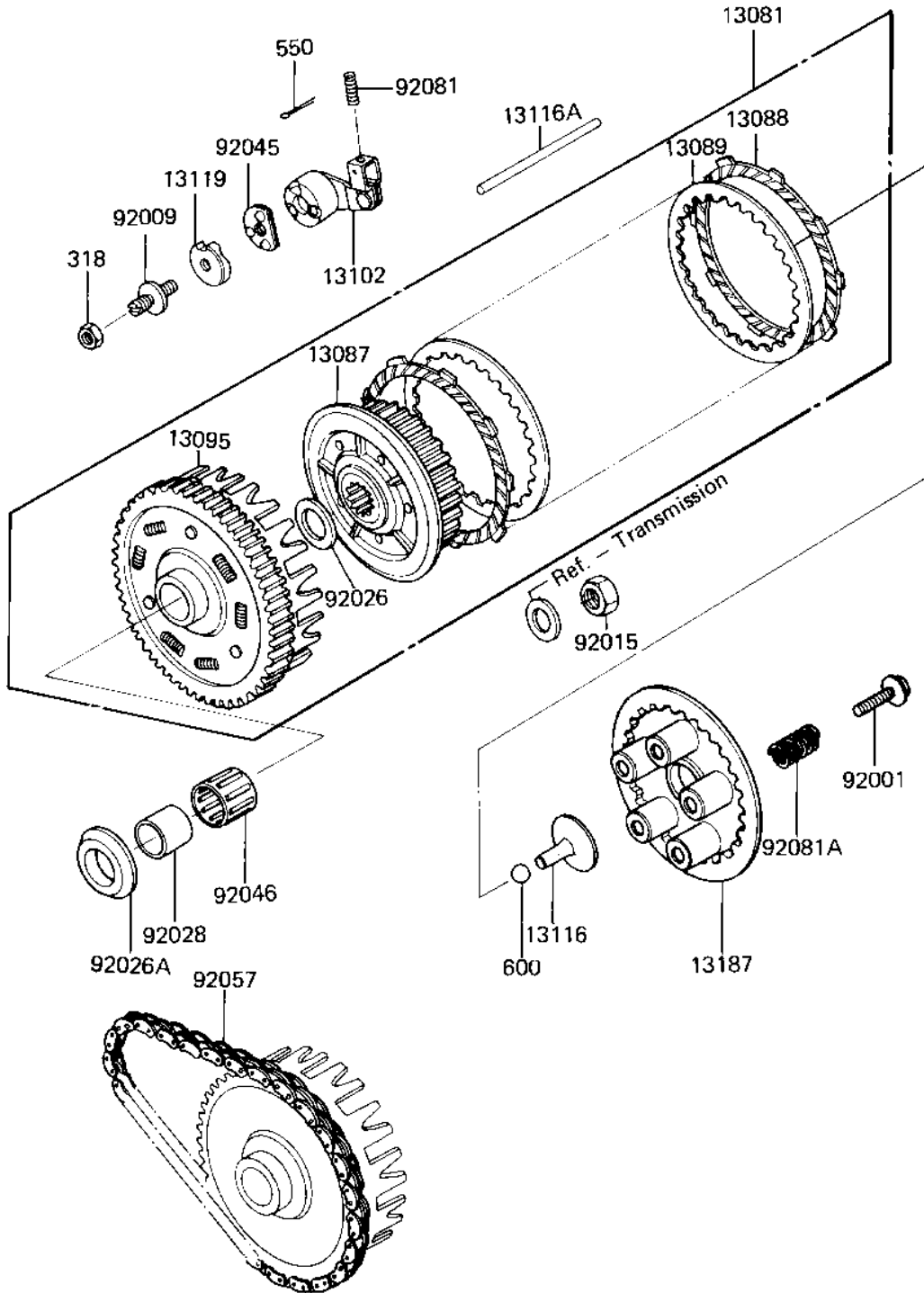


## 1982 750 CSR-Twin PARTS DIAGRAM

CLUTCH



E1350-0024



## 1982 750 CSR-Twin PARTS LIST

### CLUTCH

ITEM NAME	PART NUMBER	QUANTITY
CLUTCH-ASSY (Ref # 13081)	13081-1069	1
HUB,CLUTCH (Ref # 13087)	13087-042	1
PLATE-FRICTION (Ref # 13088)	13088-1013	1
PLATE,CLUTCH STEL (Ref # 13089)	13089-027	1
HOUSING,CLUTCH (Ref # 13095)	13095-050	1
RELEASE-COMP-CLUTCH (Ref # 13102)	13102-1012	1
PUSHER,CLUTCH SPRG P (Ref # 13116)	13116-022	1
ROD,CLUTCH PUSH (Ref # 13116A)	13116-1007	1
CAM,RELEASE,CLUTCH (Ref # 13119)	13119-1003	1
PLATE,CLUTCH SPRING (Ref # 13187)	13187-008	1
BOLT,CLUTCH SPR FITT (Ref # 92001)	92001-1066	1
SCREW,SLOTTED,8M/M (Ref # 92009)	92009-1009	1
NUT,20MM (Ref # 92015)	92015-1555	1
WASHER TH 25.5X47X2. (Ref # 92026)	92026-022	1
SPACER (Ref # 92026A)	92026-123	1
BUSHING,CLUTCH (Ref # 92028)	92028-178	1
BEARING,BALL,CLUTCH (Ref # 92045)	92045-1001	1
BEARING,KTV323723 (Ref # 92046)	92046-028	1
CHAIN,PRIMARY (Ref # 92057)	13122-008	1
SPRING-CLUTCH RELEAS (Ref # 92081)	92081-069	1
SPRING,CLUTCH (Ref # 92081A)	92081-1033	1
NUT 8MM (Ref # 318)	318B0800	1
PIN COTTER 1.6X15 (Ref # 550)	550D1615	1
BALL STEEL 3/8' (Ref # 600)	600A1200	1