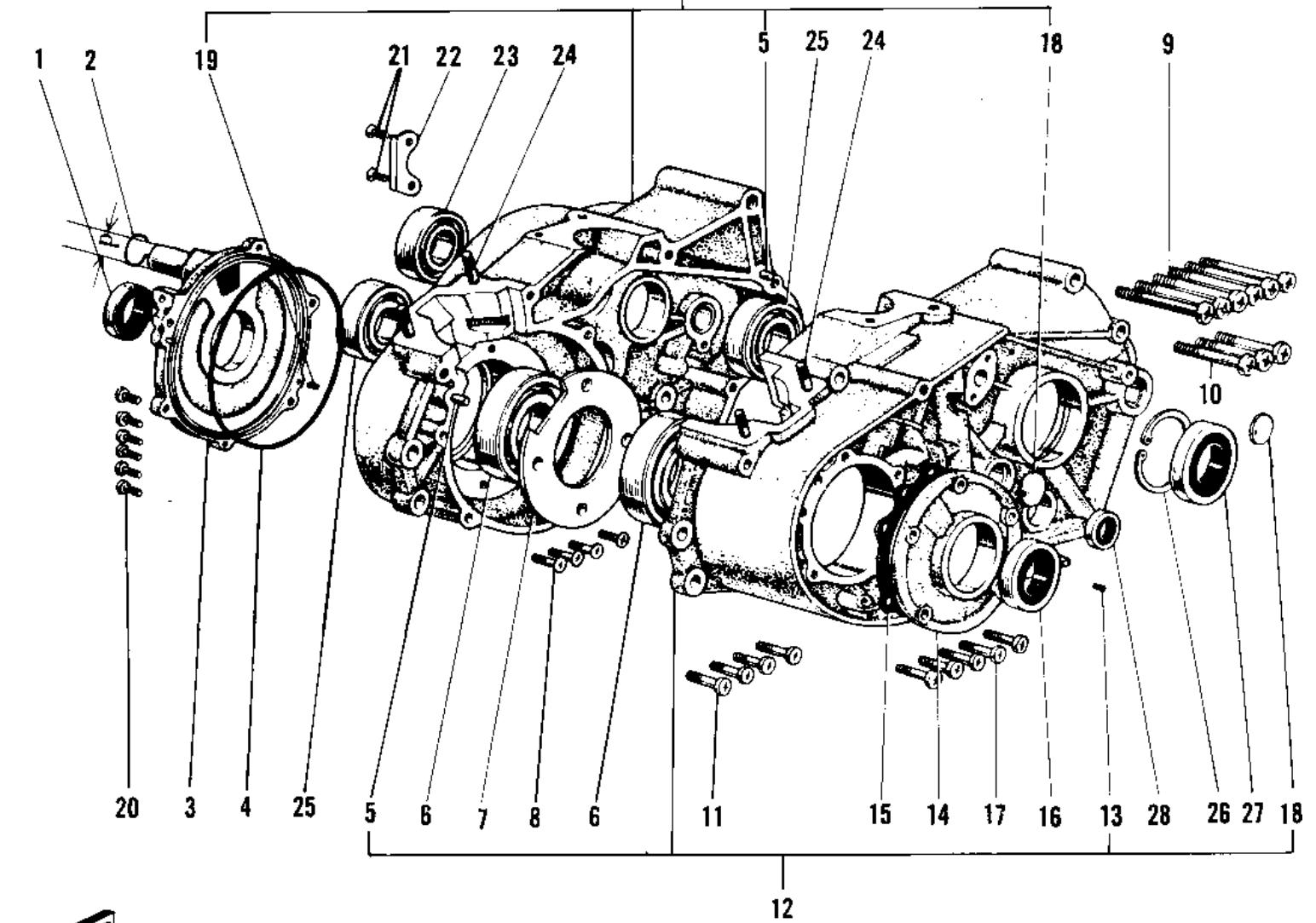


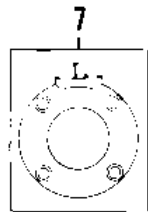
1968 PARTS DIAGRAM

CRANKCASE

Incl. in 12



FRONT



1968 PARTS LIST

CRANKCASE

ITEM NAME	PART NUMBER	QUANTITY
OIL SEAL TB32457 (Ref # 1)	653B324507	1
"O" RING,35MM (Ref # 2)	671B2535	1
COVER ROTARY DISC VLV (Ref # 3)	14019-045	1
"O" RING,126MM (Ref # 4)	92055-013	1
PIN DOWEL 8X16 (Ref # 5)	551A0816	1
BEARING BALL #6305 (Ref # 6)	601B6305	1
HOLDER BEARING (Ref # 7)	14014-005	1
SCREW CNTSNK HD 6X16 (Ref # 8)	221B0616	1
SCREW PAN HEAD 6X60 (Ref # 9)	220B0660	1
SCREW PAN HEAD 6X50 (Ref # 10)	220B0650	1
SCREW PAN HEAD 6X45 (Ref # 11)	220B0645	1
CRANKCASE SET (Ref # 12)	14001-031	1
PIN DOWEL 3X12 (Ref # 13)	551A0312	1
RETAINER OIL SEAL (Ref # 14)	14020-006	1
GASKET OIL SEAL RETNR (Ref # 15)	14023-004	1
SEAL-OIL (Ref # 16)	92049-1250	1
SCREW CNTSNK HD 6X12 (Ref # 17)	221B0612	1
PLUG (Ref # 18)	92084-001	1
PIN DOWEL 5X12 (Ref # 19)	610A0512	1
SCREW PAN HEAD 6X20 (Ref # 20)	220B0620	1
SCREW PAN HEAD 6X14 (Ref # 21)	220B0614	1
HOLDER BEARING (Ref # 22)	14014-004	1
BEARING BALL #6203 (Ref # 23)	601B6203	1
STUD 10X50 (Ref # 24)	172G1050	1
BEARING BALL #6204 (Ref # 25)	601B6204	1
CIRCLIP,47M/M (Ref # 26)	92033-1042	1
OIL SEAL SC25476 (Ref # 27)	92050-006	1
UNAVAILABLE IN PRICE BOOK (Ref # 28)	658G121805	1