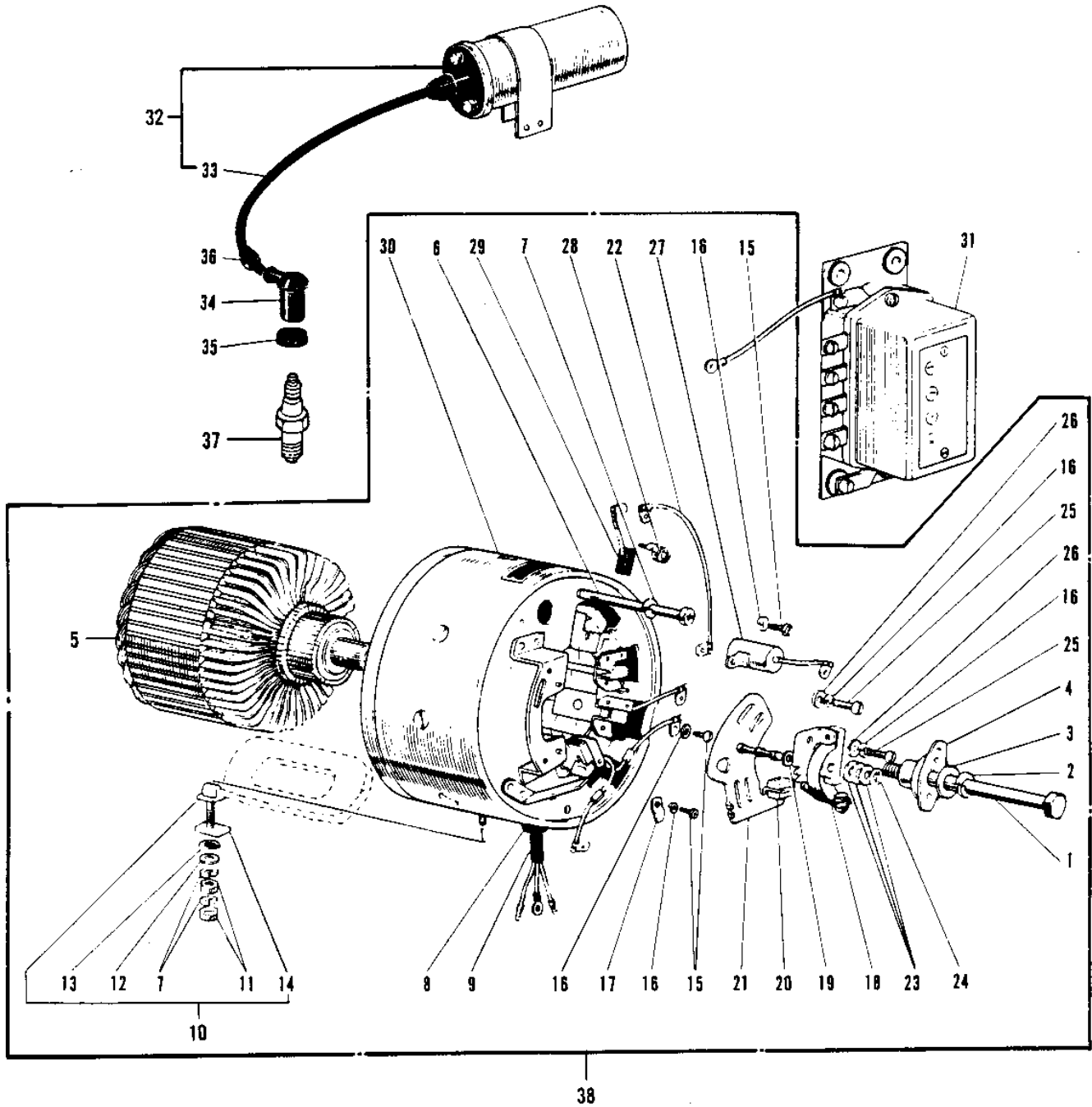


1968 PARTS DIAGRAM

IGNITION/GENERATOR/STARTER



1968 PARTS LIST

IGNITION/GENERATOR/STARTER

| ITEM NAME | PART NUMBER | QUANTITY |
|--------------------------------------|-------------|----------|
| BOLT HEX HEAD 8X95 (Ref # 1) | 114G0895 | 1 |
| WASHER SPRING 8MM (Ref # 2) | 461F0800 | 1 |
| WASHER 8MM (Ref # 3) | 21102-003 | 1 |
| CAM CONTACT BREAKER (Ref # 4) | 21103-002 | 1 |
| ARMATURE (Ref # 5) | 21080-002 | 1 |
| SCREW PAN HEAD 5X88 (Ref # 6) | 21099-002 | 1 |
| SCREW PAN HEAD 5X88 (Ref # 6) | 92011-019 | 1 |
| WASHER SPRING 5MM (Ref # 7) | 461F0500 | 1 |
| UNAVAILABLE IN PRICE BOOK (Ref # 8) | 21017-016 | 1 |
| WIRING HARNESS DYNAMO (Ref # 9) | 21096-003 | 1 |
| UNAVAILABLE IN PRICE BOOK (Ref # 10) | 21090-001 | 1 |
| NUT,5MM (Ref # 11) | 311B0500 | 1 |
| WASHER PLAIN 5MM (Ref # 12) | 411B0500 | 1 |
| WASHER INSULATOR (Ref # 13) | 21092-001 | 1 |
| INSULATOR TERMINAL (Ref # 14) | 21091-001 | 1 |
| SCREW PAN HEAD 4X6 (Ref # 15) | 220B0406 | 1 |
| WASHER SPRING 4MM (Ref # 16) | 461F0400 | 1 |
| CLAMP WIRE (Ref # 17) | 21098-003 | 1 |
| ARM CONTACT BREAKER (Ref # 18) | 21082-006 | 1 |
| CAM PLATE (Ref # 19) | 21106-003 | 1 |
| FELT-OIL (Ref # 20) | 21019-011 | 1 |
| PLATE CONTACT BREAKER (Ref # 21) | 21084-006 | 1 |
| WIRE LEAD (Ref # 22) | 21095-002 | 1 |
| WASHER 0.1MM (Ref # 23) | 21108-002 | 1 |
| CIRCLIP 3MM (Ref # 24) | 482K3000 | 1 |
| SCREW PAN HEAD 4X8 (Ref # 25) | 220B0408 | 1 |
| WASHER PLAIN 4MM (Ref # 26) | 410B0400 | 1 |
| CONDENSER (Ref # 27) | 21013-012 | 1 |
| SPRING, CARBON BRUSH (Ref # 28) | 21089-005 | 1 |

1968 PARTS LIST

IGNITION/GENERATOR/STARTER

| ITEM NAME | PART NUMBER | QUANTITY |
|--------------------------------------|-------------|----------|
| BRUSH CARBON (Ref # 29) | 21088-007 | 1 |
| YOKE ASSY (Ref # 30) | 21076-002 | 1 |
| REGULATOR,VOLTAGE (Ref # 31) | 21066-1003 | 1 |
| COIL IGNITION (Ref # 32) | 21121-022 | 1 |
| CORD HIGH TENSION (Ref # 33) | 21133-003 | 1 |
| CAP-SPARK PLUG (Ref # 34) | 21130-016 | 1 |
| GROMMET PLUG CAP A (Ref # 35) | 21131-002 | 1 |
| GROMMET (Ref # 36) | 92071-517 | 1 |
| UNAVAILABLE IN PRICE BOOK (Ref # 37) | 92070-010A | 1 |
| SPARK PLUG B8HS (Ref # 37) | B8HS | 1 |
| DYNAMO STARTER (Ref # 38) | 21075-005 | 1 |