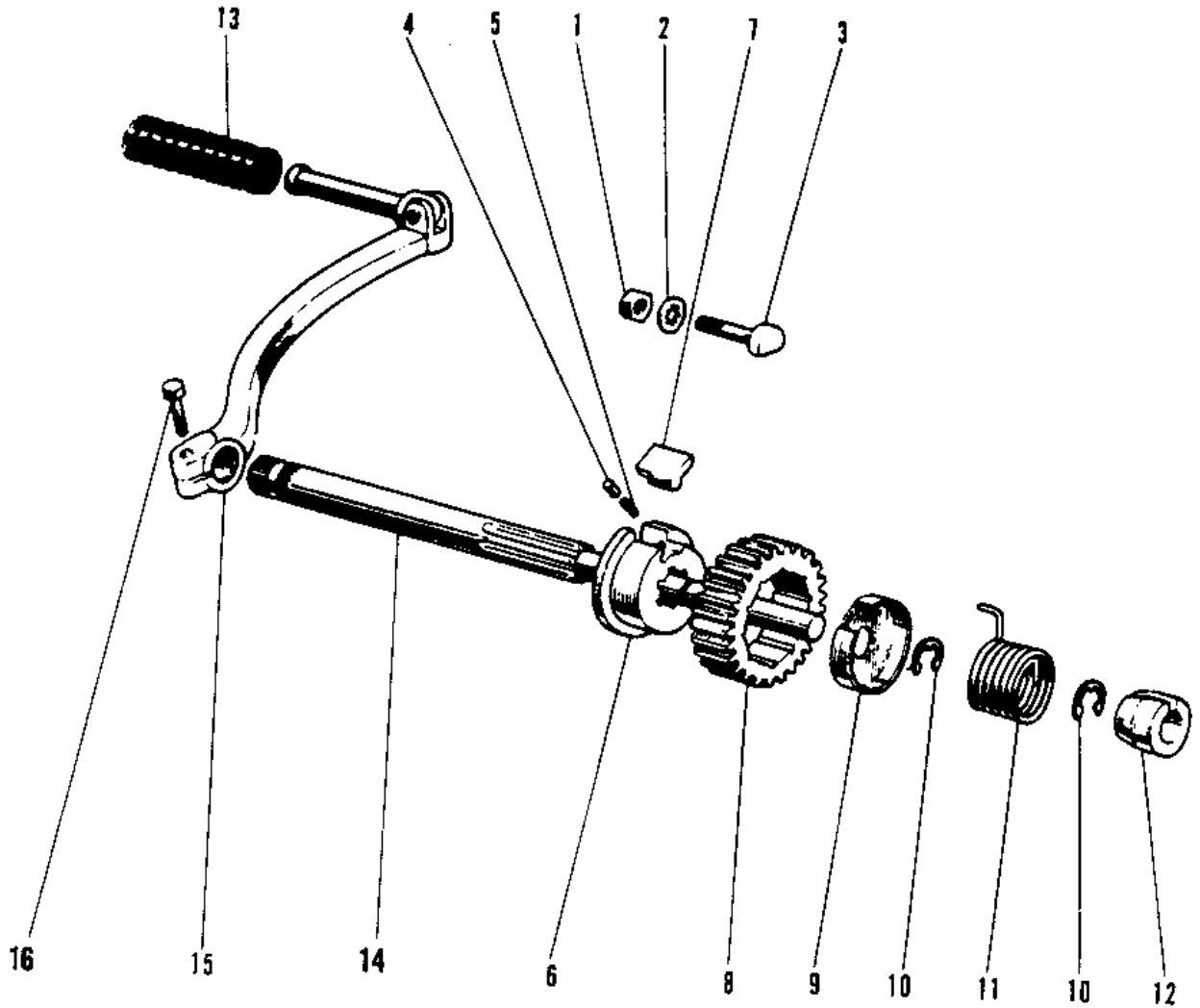


1968 PARTS DIAGRAM

KICKSTARTER MECHANISM



1968 PARTS LIST

KICKSTARTER MECHANISM

ITEM NAME	PART NUMBER	QUANTITY
NUT 8MM (Ref # 1)	312B0800	1
WASHER LOCK 8MM (Ref # 2)	463H0800	2
STOPPER KICKSTARTER (Ref # 3)	13072-004	1
PIN KICKSTARTER PAWL (Ref # 4)	92042-001	1
SPRING CLUTCH (Ref # 5)	92081-001	1
SPRING KICK PAWL (Ref # 5)	92081-022	1
DRUM KICKSTARTER (Ref # 6)	13067-003	1
PAWL KICKSTARTER (Ref # 7)	13069-003	1
GEAR KICKSTARTER (Ref # 8)	13068-004	1
PLATE KICK GEAR HLDER (Ref # 9)	13071-003	1
CIRCLIP 10MM (Ref # 10)	482J0100	1
SPRING KICKSTARTER (Ref # 11)	92082-002	1
GUIDE KICK SPRING (Ref # 12)	13070-001	1
RUBBER KICK PEDAL (Ref # 13)	13063-004	1
SHAFT,KICKSTARTER (Ref # 14)	13066-1007	2
UNAVAILABLE IN PRICE BOOK (Ref # 15)	13062-002	1
PEDAL-KICKSTARTER (Ref # 15)	13058-009	1
BOLT-SMALL-UPSET 8X25 (Ref # 16)	115G0825	1