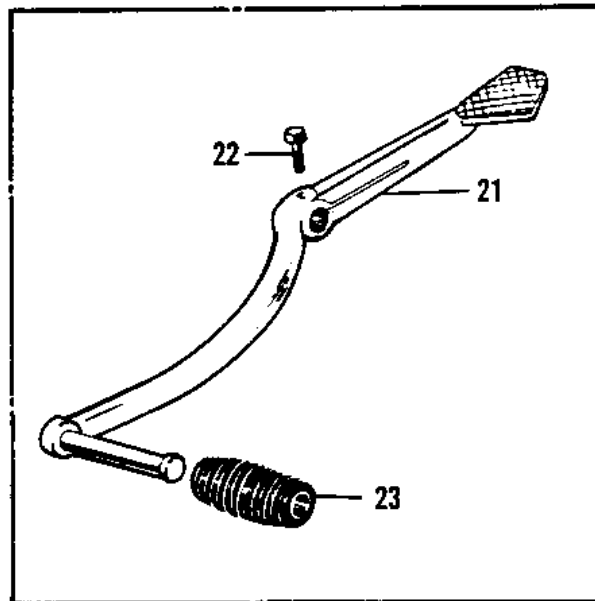
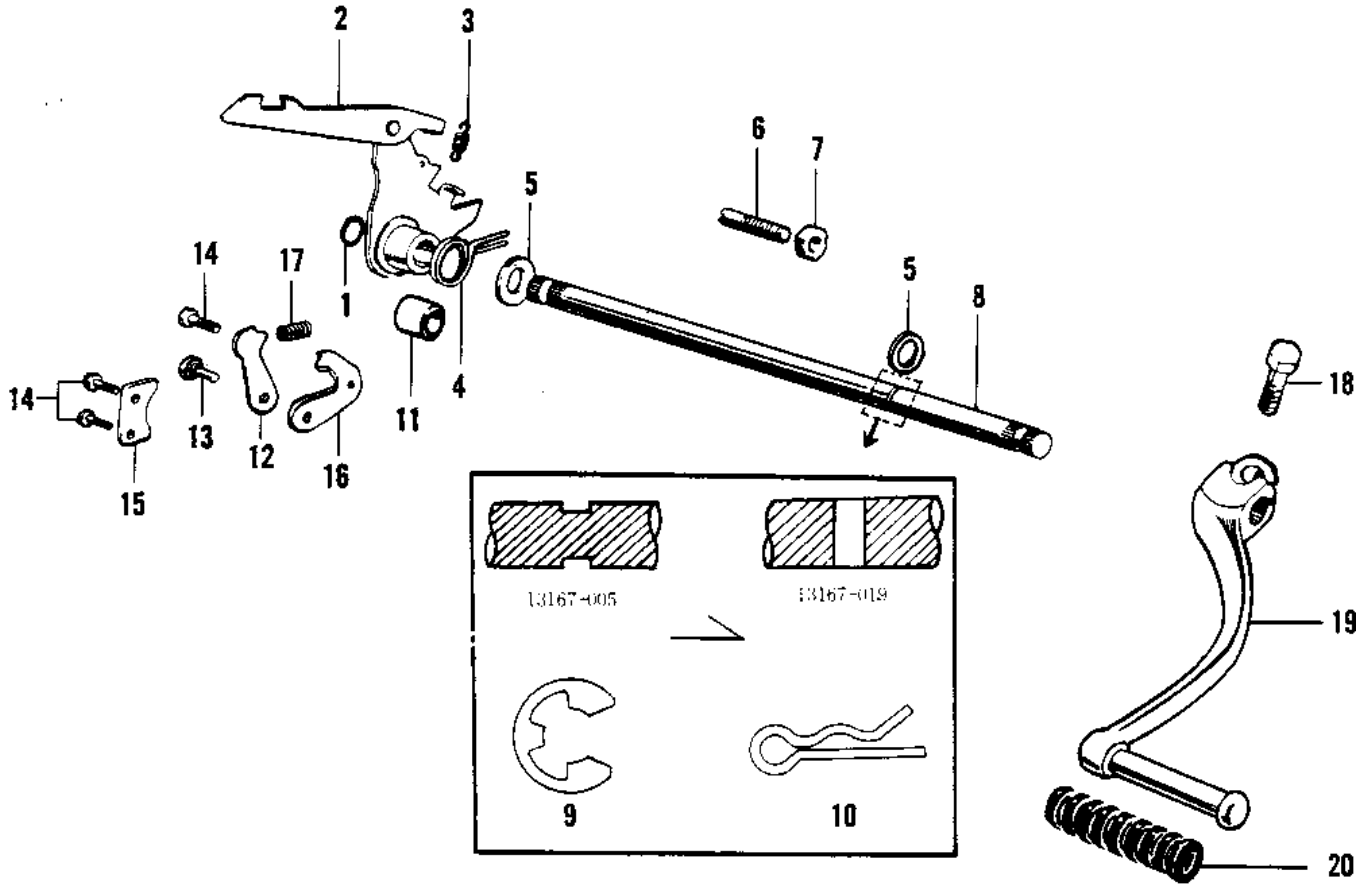


1968 PARTS DIAGRAM

GEAR CHANGE MECHANISM



1968 PARTS LIST

GEAR CHANGE MECHANISM

ITEM NAME	PART NUMBER	QUANTITY
CIRCLIP 10MM (Ref # 1)	92033-002	1
LEVER-COMP-CHANGE (Ref # 2)	13161-5002	2
LEVER ASSY,GEAR CHANG (Ref # 2)	13161-037	2
SPRING GEAR CHNG LEV (Ref # 3)	92083-011	1
SPRING,TENTION (Ref # 4)	92081-1129	1
UNAVAILABLE IN PRICE BOOK (Ref # 4)	92083-1129	1
WASER 12MM (Ref # 5)	92022-003	1
BOLT,RETURN SPRING (Ref # 6)	92001-1401	2
NUT 8MM (Ref # 7)	312B0800	1
UNAVAILABLE IN PRICE BOOK (Ref # 8)	13167-005	1
CIRCLIP 10MM (Ref # 9)	482J0100	1
COTTER PIN (Ref # 10)	92041-004	1
COLLAR (Ref # 11)	92027-121	1
LEVER GEAR CHNG DRUM (Ref # 12)	13168-003	1
SCREW CHANGE DRUM LEV (Ref # 13)	92011-001	1
SCREW PAN HEAD 6X14 (Ref # 14)	220B0614	1
PLATE DRUM LEV POSTON (Ref # 15)	13169-001	1
PLATE CHANGE DRUM LEV (Ref # 16)	13170-003	1
SPRING,CHNG DRUM LEVR (Ref # 17)	92081-004	1
BOLT-UPSET,6X20 (Ref # 18)	112G0620	1
PEDAL GEAR CHANGE (Ref # 19)	13156-019	1
RUBBER CHANGE PEDAL (Ref # 20)	13157-004	1
PEDAL GEAR CHANGE (Ref # 21)	13156-012	1
BOLT-UPSET (Ref # 22)	112G0625	1
RUBBER CHANGE PEDAL A (Ref # 23)	13157-002	1