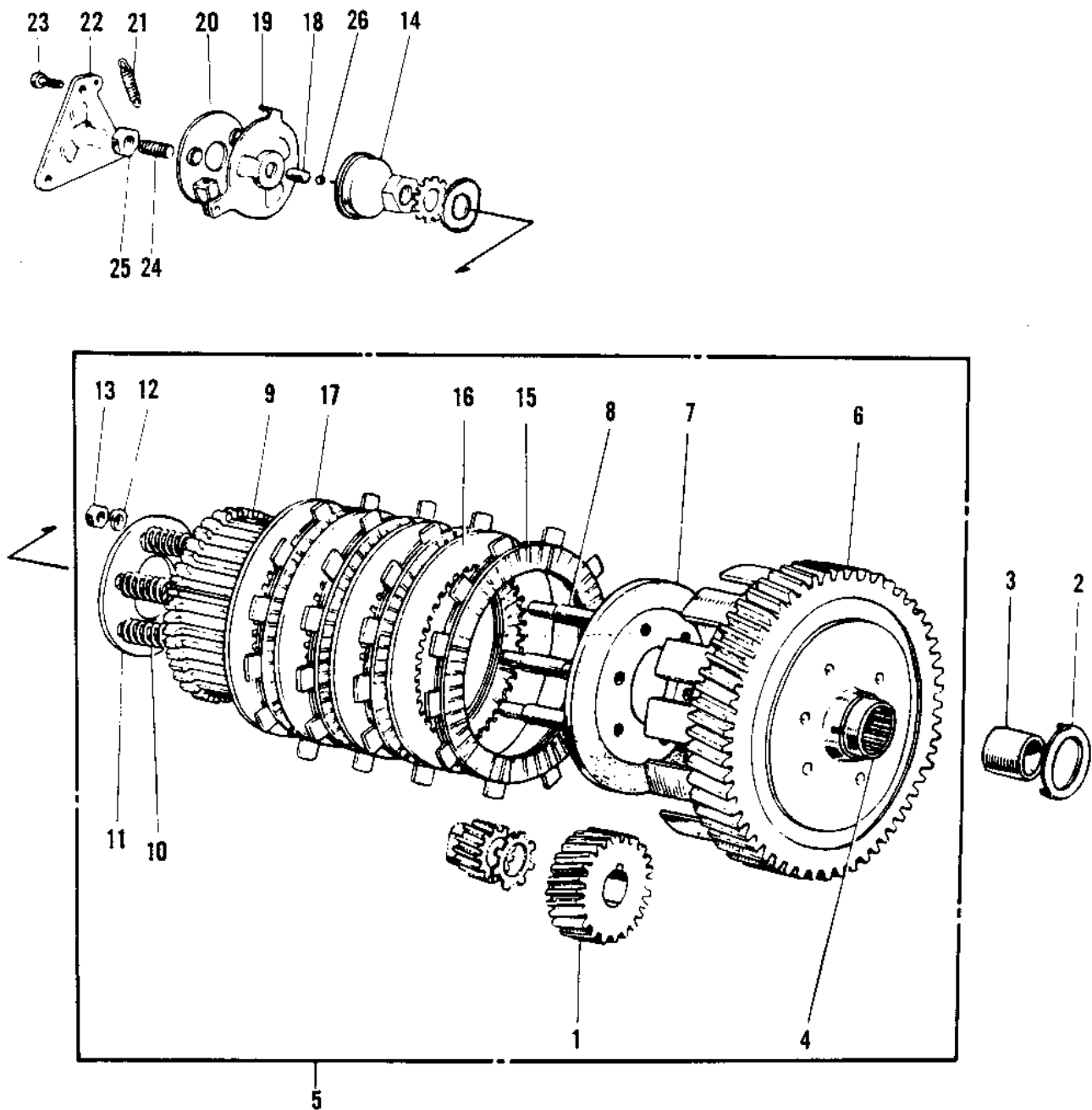


## 1968 PARTS DIAGRAM

CLUTCH



## 1968 PARTS LIST

### CLUTCH

ITEM NAME	PART NUMBER	QUANTITY
PINION PRIMARY (Ref # 1)	13121-005	1
THRUST WASHER 5MM (Ref # 2)	92026-004	1
BUSH CLUTCH (Ref # 3)	13125-002	1
BEARING CLUTCH NEEDLE (Ref # 4)	92046-012	1
CLUTCH-ASSY (Ref # 5)	13081-017	1
HOUSING CLOTCH (Ref # 6)	13096-003	1
BASE CLUTCH (Ref # 7)	13086-002	1
STUD CLUTCH BASE (Ref # 8)	92006-001	1
STUD CLUTCH BASE (Ref # 9)	13087-003	1
CLUTCH,HUB (Ref # 9)	13087-037	1
SPRING CLUTCH (Ref # 10)	92081-019	1
PLATE CLUTCH SPRING (Ref # 11)	13091-001	1
WASHER SPRING 8MM (Ref # 12)	461F0800	2
NUT 8MM (Ref # 13)	312B0800	1
PUSHER CLUTCH SPRING (Ref # 14)	13113-002	1
PLATE, FRICTION (Ref # 15)	13088-1104	1
PLATE CLUTCH STEEL (Ref # 16)	13089-003	1
PLATE CLUTCH OUTER (Ref # 17)	13090-002	1
PIN DOWEL 7X10 (Ref # 18)	610A0710	1
PLATE ASSY CLTH RELSE (Ref # 19)	13102-003	1
THRUST BALL ASSY CLTH (Ref # 20)	13110-003	1
SPRING GEAR CHNG LEV (Ref # 21)	92083-011	1
PLATE CLTH RELESE CAM (Ref # 22)	13119-003	1
SCREW PAN HEAD 6X12 (Ref # 23)	220B0612	1
SCREW SLOTTED (Ref # 24)	291Z0622	1
NUT 6MM (Ref # 25)	312B0600	1
BALL STEEL 5/16' (Ref # 26)	600A1000	1