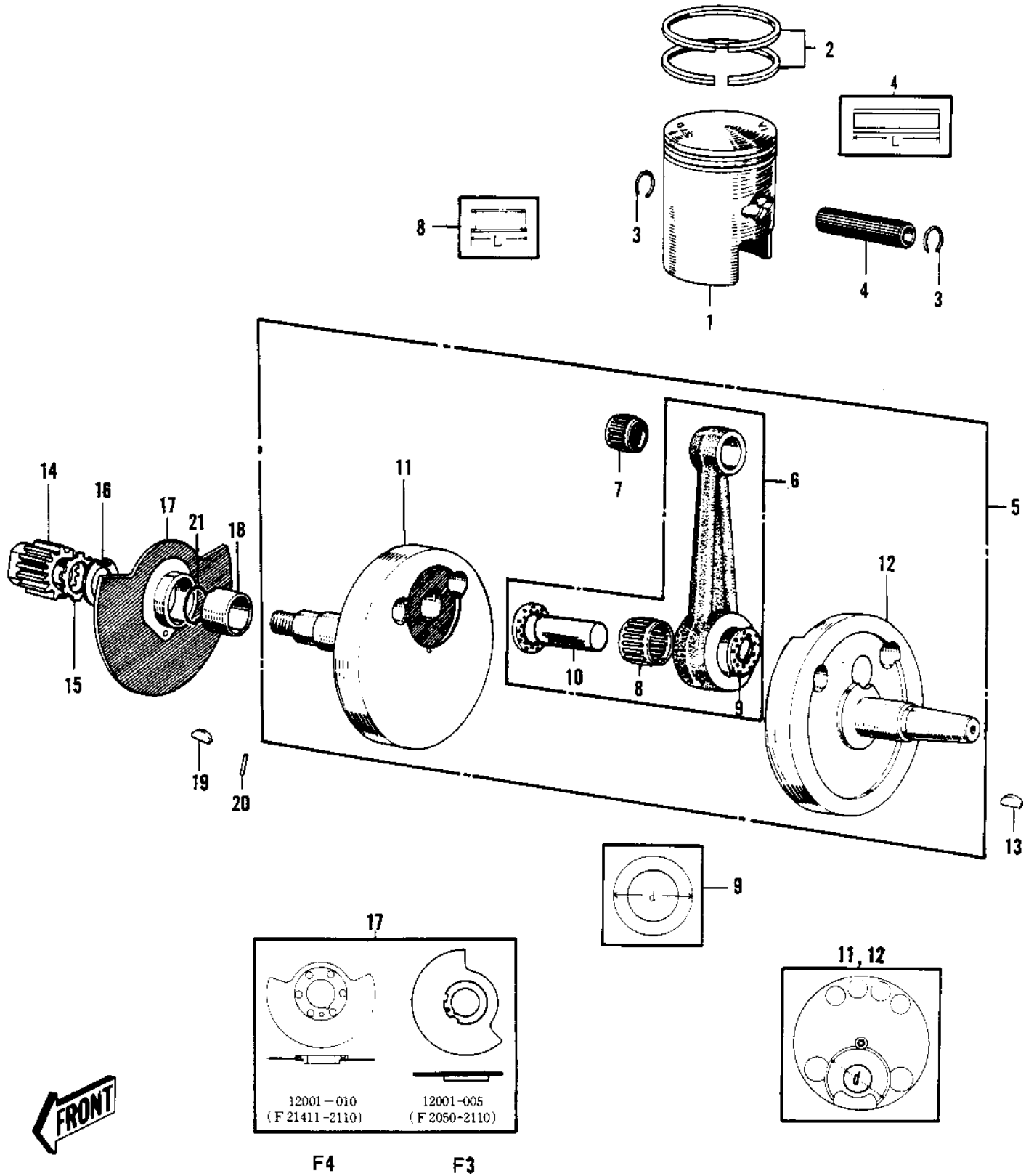


1968 PARTS DIAGRAM

CRANKSHAFT/PISTON/ROTARY VALVE



1968 PARTS LIST

CRANKSHAFT/PISTON/ROTARY VALVE

ITEM NAME	PART NUMBER	QUANTITY
PISTON STD (Ref # 1)	13001-024	1
PISTON 0.020' O.S (Ref # 1)	13029-021	1
PISTON 0.040' O.S (Ref # 1)	13027-022	1
RING SET STD (Ref # 2)	13008-021	1
RING SET 0.020' O.S (Ref # 2)	13025-023	1
RING SET 0.040' O.S (Ref # 2)	13024-026	1
CIRCLIP PISTON PIN (Ref # 3)	92036-004	1
PIN-PISTON (Ref # 4)	13002-010	1
CRANK - CONROD ASSY (Ref # 5)	13031-027	1
CONNECTING ROD SET (Ref # 6)	13044-004	1
UNAVAILABLE IN PRICE BOOK (Ref # 7)	13033-011	1
BEARING-NEEDLE (Ref # 7)	92046-1038	1
NEEDLE BEARING BG END (Ref # 8)	13034-010	1
WASHER SIDE (Ref # 9)	92026-024	1
CRANK PIN (Ref # 10)	13035-005	1
CRANKSHAFT R.H (Ref # 11)	13038-015	1
CRANKSHAFT L.H (Ref # 12)	13037-021	1
WOODRUFF KEY (Ref # 13)	92038-001	1
PINION OIL PUMP (Ref # 14)	16084-003	1
WASHER LOCK 12MM (Ref # 15)	464H1200	1
WASHER LOCK 12MM (Ref # 16)	92024-002	1
VALVE ROTARY DISC (Ref # 17)	12001-005	1
COLLAR CRANKSHAFT (Ref # 18)	92027-017	1
WOODRUFF KEY PRY PINI (Ref # 19)	92038-003	1
PIN DOWEL 4X12 (Ref # 20)	610A0412	1
"O" RING,18MM (Ref # 21)	92055-012	1
"O" RING,OIL FIL PLUG (Ref # 21)	92055-026	1