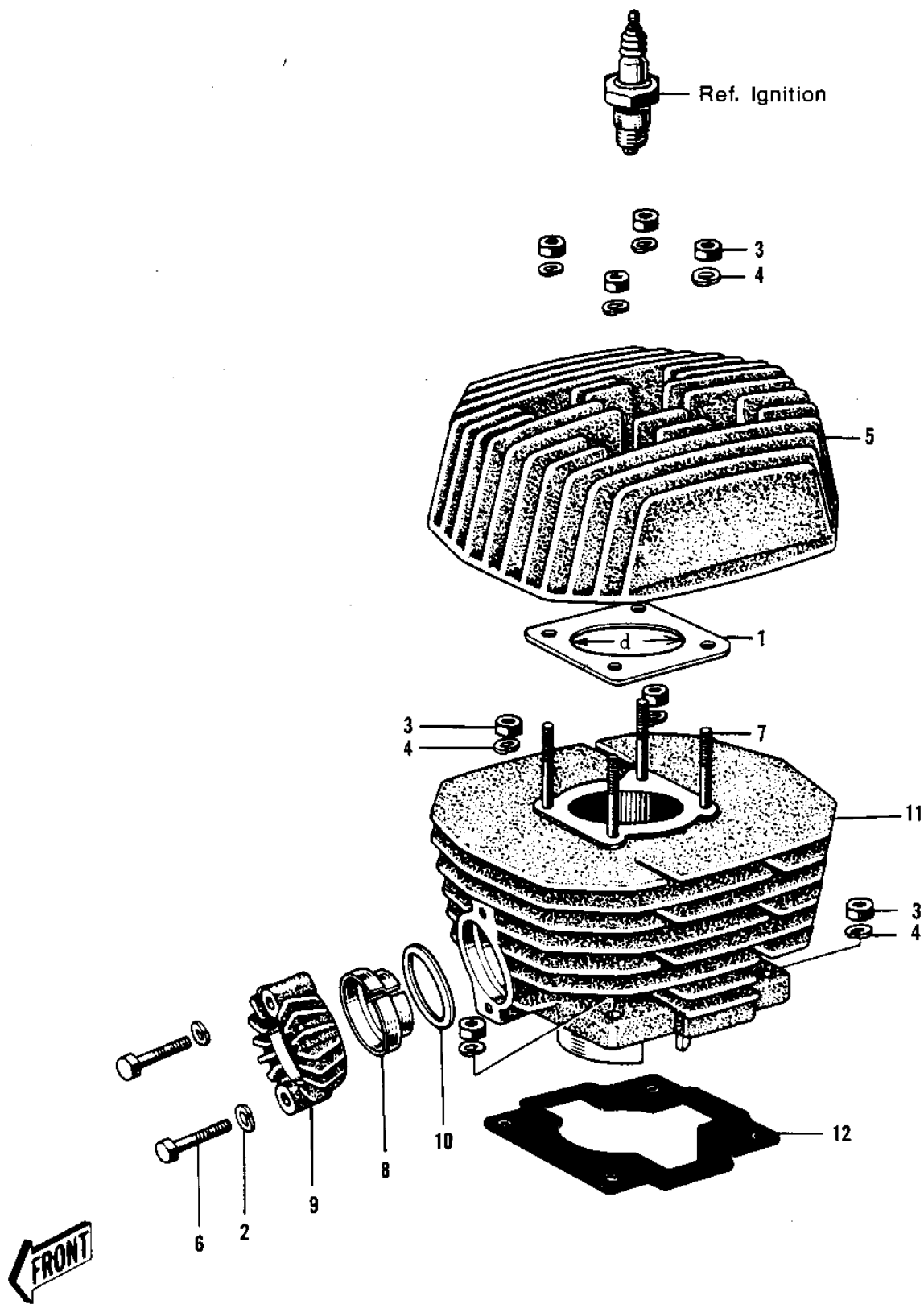


1968 PARTS DIAGRAM

CYLINDER HEAD/CYLINDER



1968 PARTS LIST

CYLINDER HEAD/CYLINDER

ITEM NAME	PART NUMBER	QUANTITY
GASKET CYLINDER HEAD (Ref # 1)	11004-021	1
WASHER SPRING 6MM (Ref # 2)	461F0600	1
NUT,8MM (Ref # 3)	311B0800	1
WASHER SPRING 8MM (Ref # 4)	461F0800	3
CYLINDER HEAD (Ref # 5)	11001-031	1
BOLT-UPSET,6X40 (Ref # 6)	112G0640	1
STUD 8X40 (Ref # 7)	92004-003	1
INSERT EXH PIPE HOLD (Ref # 8)	18070-001	1
HOLDER EXHAUST PIPE (Ref # 9)	18069-017	1
GASKET EXHAUST PIPE (Ref # 10)	18067-008	1
CYLINDER (Ref # 11)	11005-041	1
GASKET CYLINDER BASE (Ref # 12)	11009-012	1