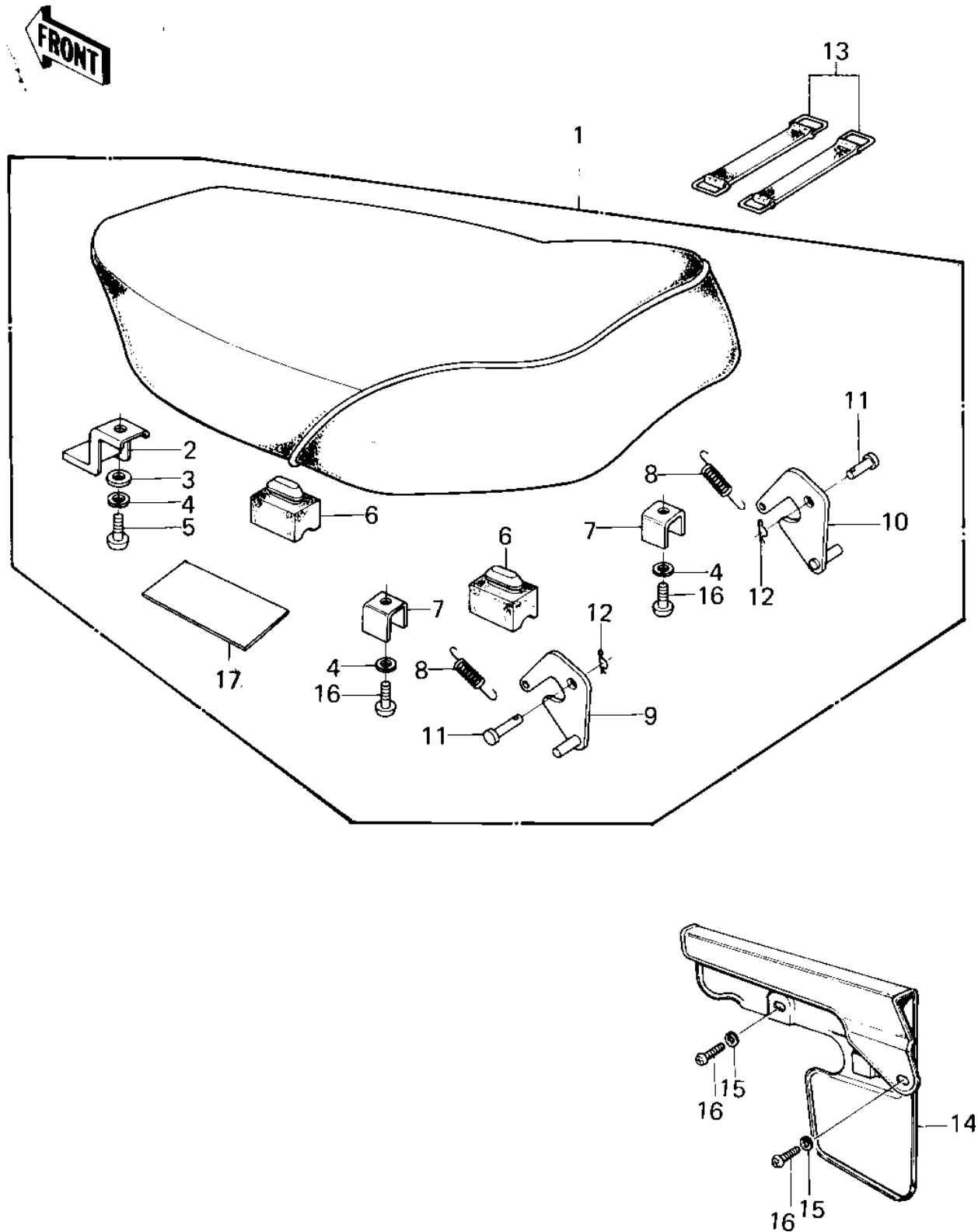


## 1980 KD80 PARTS DIAGRAM

SEAT/CHAIN COVER



## 1980 KD80 PARTS LIST

### SEAT/CHAIN COVER

ITEM NAME	PART NUMBER	QUANTITY
SEAT-ASSY (Ref # 1)	53001-1460	1
BRACKET,SEAT (Ref # 2)	53032-004	1
WASHER 6.5X20X1.6T (Ref # 3)	92022-125	1
WASHER SPRING 6MM (Ref # 4)	461F0600	2
SCREW PAN HEAD 6X14 (Ref # 5)	220B0614	1
DAMPER RUBBER (Ref # 6)	92075-099	1
SPRING,SEAT HOOK (Ref # 7)	53012-012	1
SPRING,HOOK (Ref # 8)	53012-013	1
HOOK,L.H SEAT (Ref # 9)	53008-031	1
HOOK,R.H SEAT (Ref # 10)	53008-032	1
PIN DUAL SEAT PIVOT (Ref # 11)	53011-001	1
PIN,SNAP (Ref # 12)	554A0600	1
BAND,TOOL (Ref # 13)	92072-066	1
CASE-CHAIN (Ref # 14)	36014-1024	1
SCREW PAN HEAD 6X12 (Ref # 16)	220B0612	1
DAMPER RUBBER,BATTERY (Ref # 17)	92075-224	1