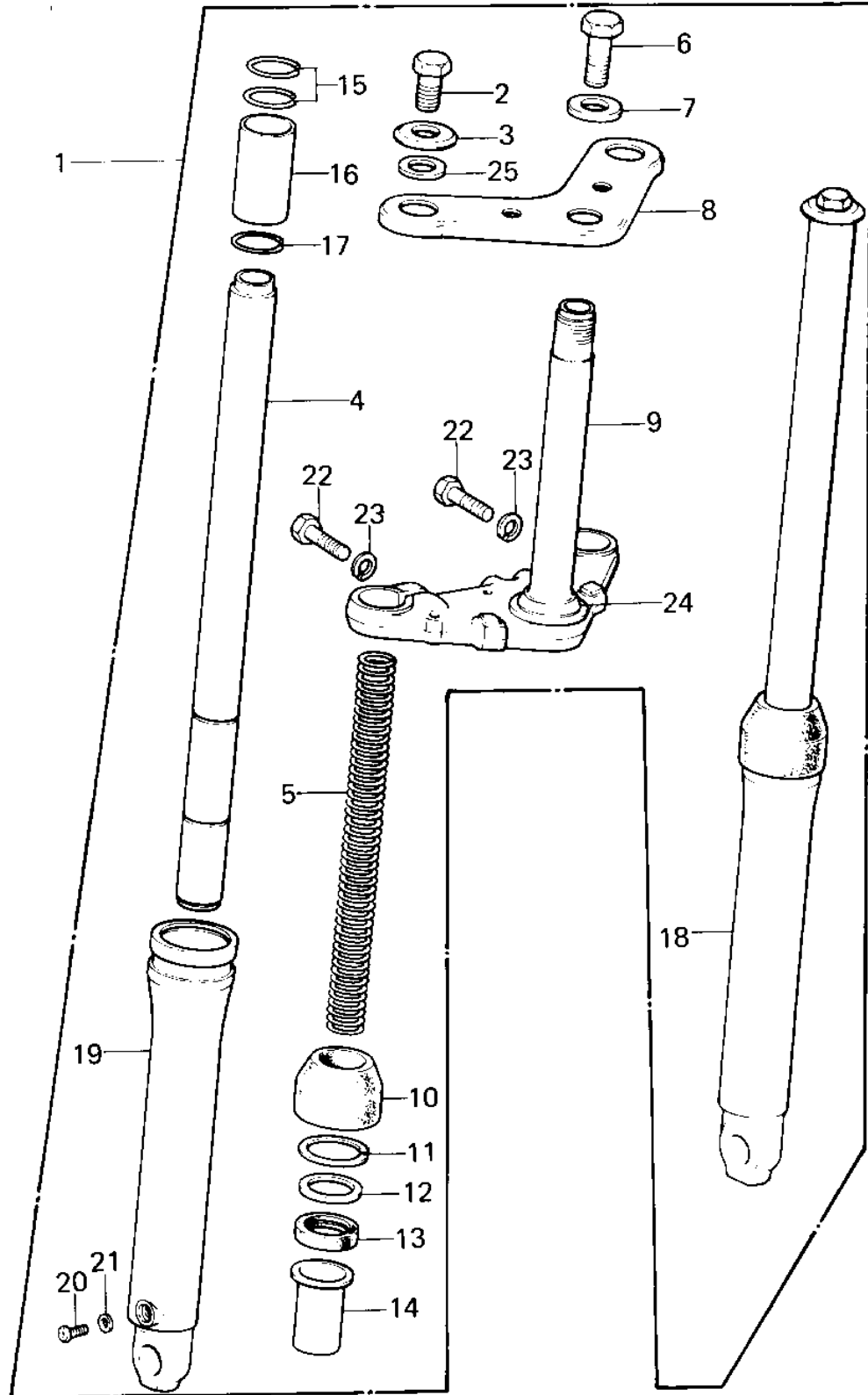


1980 KD80 PARTS DIAGRAM

FRONT FORK



1980 KD80 PARTS LIST

FRONT FORK

| ITEM NAME | PART NUMBER | QUANTITY |
|----------------------------------|-------------|----------|
| FORK-FRONT (Ref # 1) | 44001-1419 | 1 |
| BOLT (Ref # 2) | 92001-1742 | 1 |
| WASHER (Ref # 3) | 92022-1381 | 2 |
| TUBE,FORK INNER (Ref # 4) | 44013-1034 | 1 |
| SPRING,FORK INNER (Ref # 5) | 44026-1050 | 1 |
| BOLT-UPSET,10X30 (Ref # 6) | 112G1030 | 1 |
| HEAD,STEERING STEM (Ref # 8) | 44039-1025 | 1 |
| STEM,STEERING (Ref # 9) | 44037-1034 | 1 |
| DUST SHIELD,FORK (Ref # 10) | 44010-024 | 1 |
| CIRCLIP,40MM (Ref # 11) | 44044-016 | 1 |
| WASHER,FORK OUTER TUB (Ref # 12) | 44043-054 | 1 |
| SEAL-OIL,OUTER TUBE (Ref # 13) | 92049-1075 | 1 |
| GUIDE,FORK INNER TUBE (Ref # 14) | 44015-016 | 1 |
| RING,INNER TUBE GUIDE (Ref # 15) | 44020-003 | 1 |
| PISTON,FORK (Ref # 16) | 44018-007 | 1 |
| CIRCLIP,FORK PISTON (Ref # 17) | 44044-017 | 1 |
| TUBE,RH,FORK OUTER (Ref # 18) | 44006-050 | 1 |
| TUBE,LH,FORK OUTER (Ref # 19) | 44005-052 | 1 |
| SCREW PAN HEAD 4X6 (Ref # 20) | 220B0406 | 1 |
| GASKET,FORK DRAIN PLG (Ref # 21) | 44045-046 | 1 |
| BOLT,HEX HEAD 10X35 (Ref # 22) | 92001-1252 | 1 |
| WASHER SPRING 10MM (Ref # 23) | 461F1000 | 1 |
| CONE LOWER BEARING (Ref # 24) | 92047-004 | 1 |
| GASKET,FORK TOP BOLT (Ref # 25) | 44045-053 | 1 |