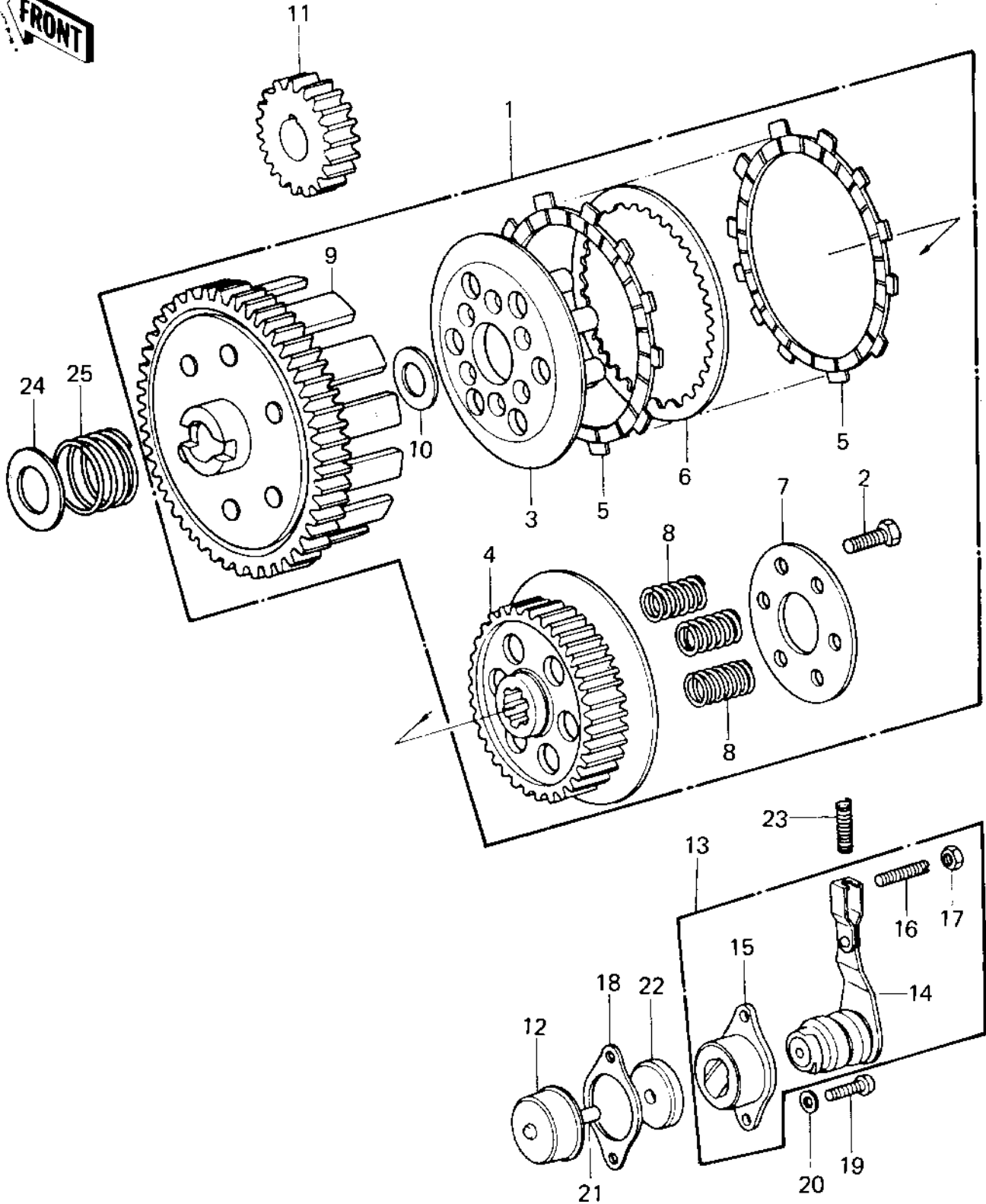


1980 KD80 PARTS DIAGRAM

CLUTCH



1980 KD80 PARTS LIST

CLUTCH

ITEM NAME	PART NUMBER	QUANTITY
CLUTCH-ASSY (Ref # 1)	13081-028	1
BOLT-UPSET (Ref # 2)	112G0516	1
WHEEL,CLUTCH (Ref # 3)	13086-1002	1
HUB,CLUTCH (Ref # 4)	13087-1011	1
PLATE-FRICTION (Ref # 5)	13088-1103	1
PLATE-CLUTCH,STEEL (Ref # 6)	13089-1009	1
HOLDER,CLUTCH SPRING (Ref # 7)	13091-1115	1
SPRING CLUTCH (Ref # 8)	92081-012	1
HOUSING CLUTCH (Ref # 9)	13095-022	1
WASHER THRUST CLUTCH (Ref # 10)	92022-054	1
PINION,PRIMARY (Ref # 11)	13121-032	1
PUSHER CLUTCH SPRING (Ref # 12)	13113-003	1
RELEASE-ASSY-CLUTCH (Ref # 13)	13231-1008	3
SCREW,SLOTTED,6X16 (Ref # 16)	291H0616	1
NUT 6MM (Ref # 17)	312B0600	1
GASKET,CLUTCH RELEASE (Ref # 18)	11060-1197	1
SCREW PAN HEAD 6X16 (Ref # 19)	220B0616	1
WASHER PLAIN 6MM (Ref # 20)	410B0600	1
PIN,DOWEL (Ref # 21)	92042-043	1
OIL SEAL (Ref # 22)	92050-071	1
SPRING-CLUTCH RELEASE (Ref # 23)	92081-096	1
WASHER PLAIN (Ref # 24)	92022-057	1
SPRING CLUTCH DAMPER (Ref # 25)	92081-015	1