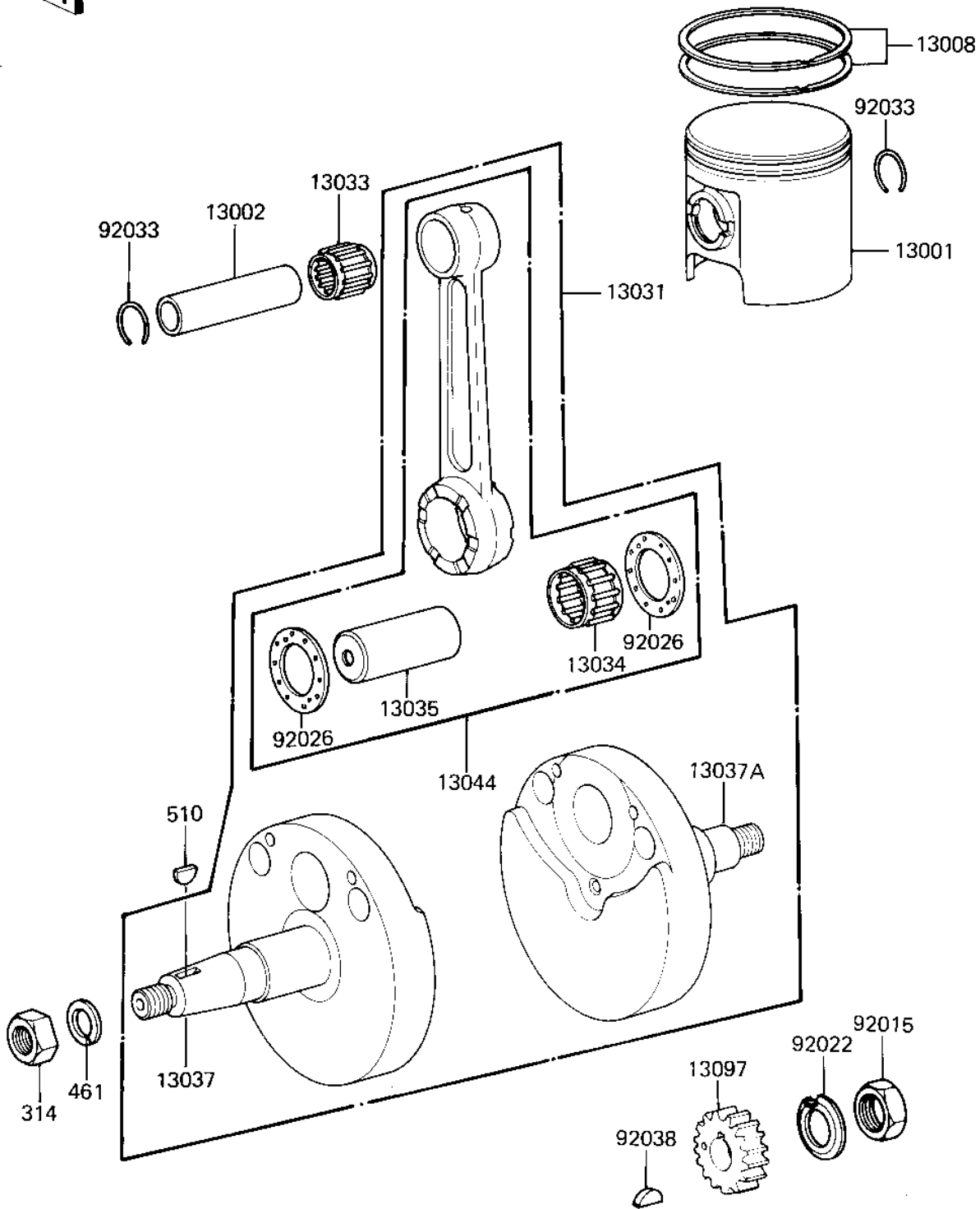


1981 KX™80 PARTS DIAGRAM

CRANKSHAFT/PISTON ('82 KX80-C2)

E1321-0026



1981 KX™80 PARTS LIST

CRANKSHAFT/PISTON ('82 KX80-C2)

ITEM NAME	PART NUMBER	QUANTITY
PISTON-ENGINE (Ref # 13001)	13001-1082	1
PIN-PISTON (Ref # 13002)	13002-1009	1
RING SET,PISTON,STD (Ref # 13008)	13008-5011	1
CRANKSHAFT-COMP (Ref # 13031)	13031-1062	1
BEARING-NEEDLE,14R181 (Ref # 13033)	13033-1003	1
BEARING-BIG END (Ref # 13034)	13034-1032	1
PIN-CRANK (Ref # 13035)	13035-1075	1
CRANKSHAFT,LH (Ref # 13037)	13037-1119	1
CRANKSHAFT,RH (Ref # 13037A)	13037-1120	1
SET-CONNECTING ROD (Ref # 13044)	13044-5031	1
GEAR,PRIMARY,24T (Ref # 13097)	13097-1042	1
NUT 12MM (Ref # 92015)	92015-006	1
WASHER LOCK 12MM (Ref # 92022)	92024-003	1
WASHER SIDE (Ref # 92026)	92026-011	1
CIRCLIP PISTON PIN (Ref # 92033)	92036-003	1
WOODRUFF KEY PRY PINI (Ref # 92038)	92038-003	1
NUT,10M/M (Ref # 314)	314G1000	1
WASHER SPRING 10MM (Ref # 461)	461F1000	1
WOODRUFF KEY (Ref # 510)	510A3200	1