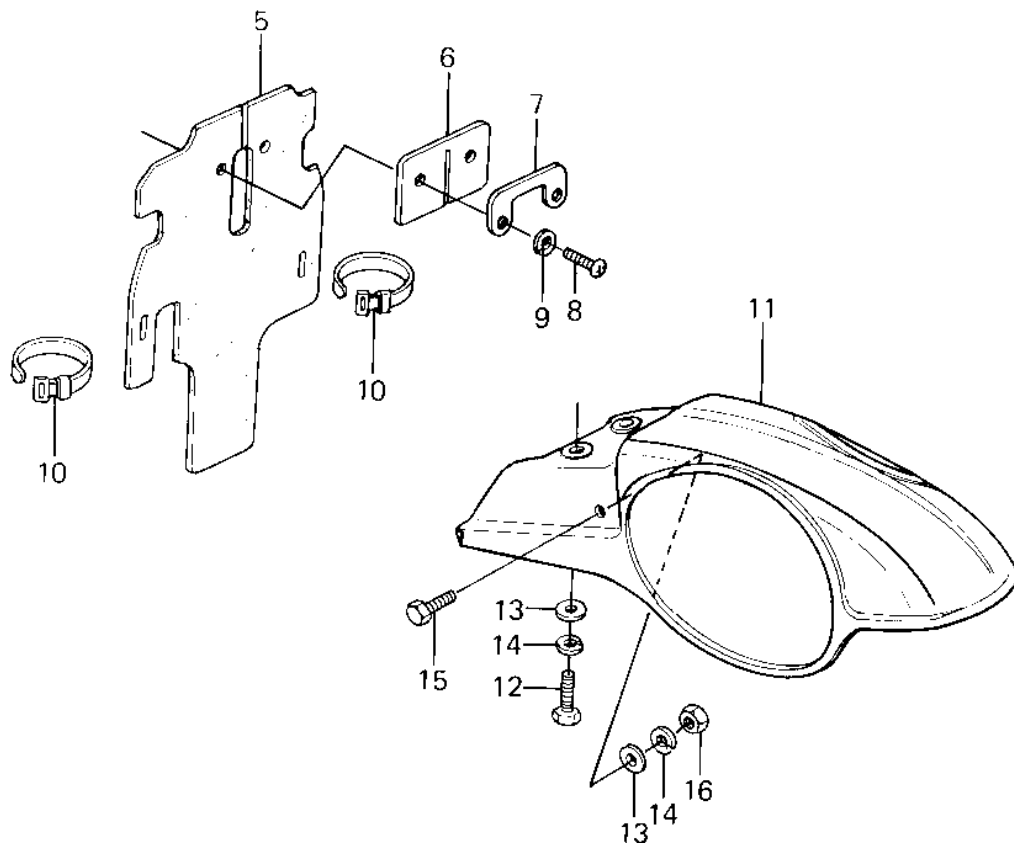
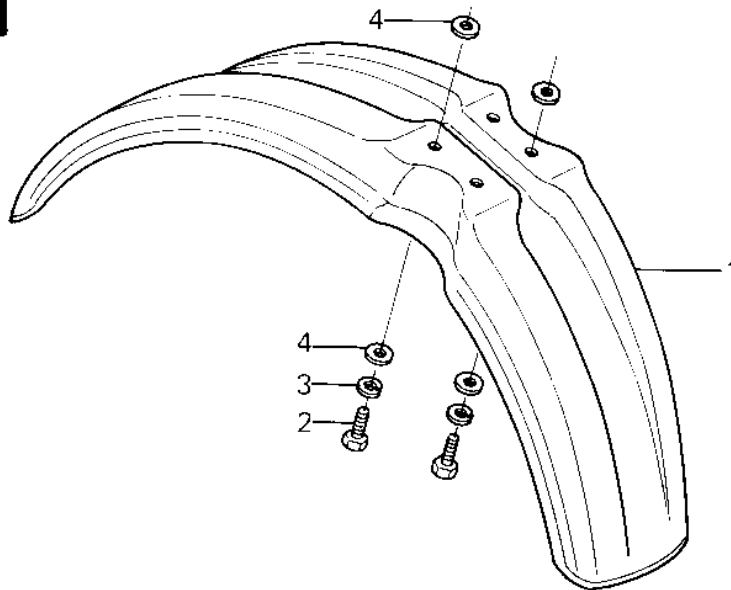


1981 KX™80 PARTS DIAGRAM

FENDERS ('81 KX80-C1)



1981 KX™80 PARTS LIST

FENDERS ('81 KX80-C1)

ITEM NAME	PART NUMBER	QUANTITY
FENDER-FR,L.GREEN (Ref # 1)	35004-1055-6W	1
BOLT-UPSET (Ref # 2)	112G0618	1
WASHER SPRING 6MM (Ref # 3)	461F0600	3
WASHER 6.5X20X1.6T (Ref # 4)	92022-125	2
FLAP,FENDER (Ref # 5)	35019-1024	1
FLAP,REAR FENDER (Ref # 6)	35019-1019	1
PLATE,REAR FLAP (Ref # 7)	13169-1407	1
SCREW PAN HEAD 6X14 (Ref # 8)	220B0614	1
BAND,SHORT (Ref # 10)	92072-030	1
FENDER-RR,L.GREEN (Ref # 11)	35022-1089-AE	1
BOLT-UPSET,6X16 (Ref # 12)	112G0616	1
BOLT-UPSET,6X20 (Ref # 15)	112G0620	1
NUT 6MM (Ref # 16)	311B0600	1