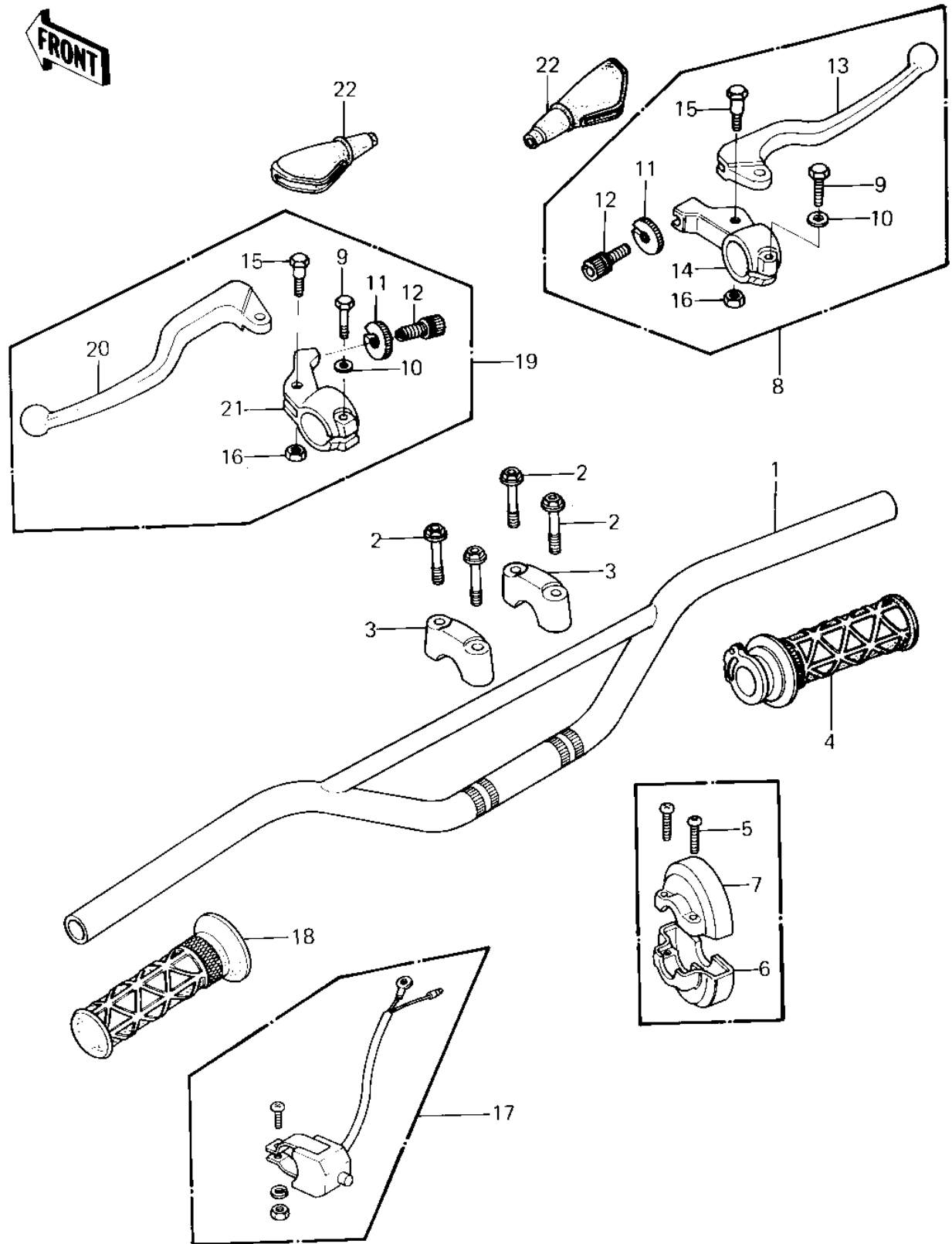


## 1981 KX™80 PARTS DIAGRAM

HANDLEBAR ('81 KX80-C1)



## 1981 KX™80 PARTS LIST

HANDLEBAR ('81 KX80-C1)

ITEM NAME	PART NUMBER	QUANTITY
HANDLEBAR,F.BLACK (Ref # 1)	46003-1082	1
BOLT,FLANGED,8X35 (Ref # 2)	130G0835	1
HOLDER-HANDLEBAR (Ref # 3)	46012-008	1
GRIP-ASSY (Ref # 4)	46019-1012	1
SCREW PAN HEAD 5X20 (Ref # 5)	220B0520	1
HOUSING CONTROL,R.H. (Ref # 6)	32099-1011	1
CASE,R.H,GRIP,UPPER (Ref # 7)	32099-1014	1
LEVER ASSY,FRONT BRK (Ref # 8)	46076-1010	1
BOLT HEX HEAD 6X25 (Ref # 9)	110N0625	1
WASHER PLAIN 6MM (Ref # 10)	410B0600	1
SCREW CABLE ADJUST (Ref # 11)	46055-003	1
NUT-LOCK (Ref # 12)	46056-005	1
LEVER,FRONT BRAKE (Ref # 13)	46092-1014	1
HOLDER,FR LEVER,F.BLK (Ref # 14)	46060-011-21	1
BOLT,HEX HEAD,5X22 (Ref # 15)	92007-046	1
NUT-LOCK,5MM (Ref # 16)	92019-014	1
SWITCH,ASSY,ENG STOP (Ref # 17)	27010-1018	1
GRIP (Ref # 18)	46075-1015	1
LEVER ASSY,CLUTCH (Ref # 19)	46076-1011	1
LEVER,CLUTCH (Ref # 20)	46092-1015	1
HOLDER,CL LEVER,F.BLK (Ref # 21)	46094-015-21	1
BOOTS,LEVER HOLDER (Ref # 22)	49006-1017	1