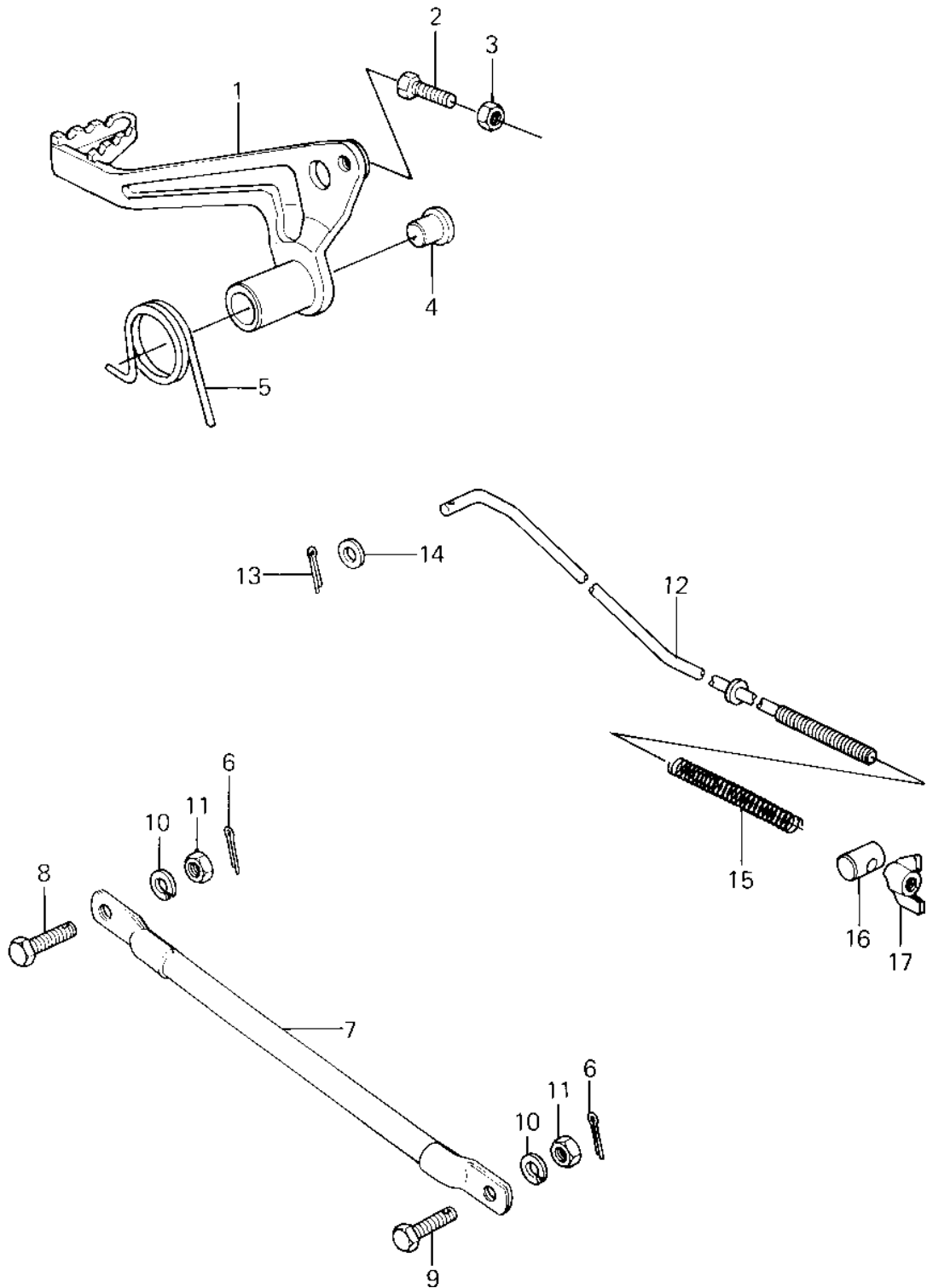


1981 KX™80 PARTS DIAGRAM

BRAKE PEDAL/TORQUE LINK ('81 KX80-C1)



1981 KX™80 PARTS LIST

BRAKE PEDAL/TORQUE LINK ('81 KX80-C1)

ITEM NAME	PART NUMBER	QUANTITY
PEDAL,BRAKE (Ref # 1)	43001-1053	1
BOLT-UPSET (Ref # 2)	112G0618	1
NUT 6MM (Ref # 3)	311B0600	1
PLUG,BRAKE PEDAL (Ref # 4)	92066-1078	1
SPRING,BRAKE PEDAL (Ref # 5)	92081-1290	1
PIN COTTER 2.0X15 (Ref # 6)	550D2015	2
TORQUE LINK,RR BRAKE (Ref # 7)	43007-1024	1
BOLT,10X25 (Ref # 8)	92001-1450	1
BOLT (Ref # 9)	92003-096	1
WASHER SPRING 10MM (Ref # 10)	461F1000	1
ROD,BRAKE (Ref # 12)	43011-1028	1
WASHER PLAIN 6MM (Ref # 14)	410B0600	1
SPRING,BRAKE ROD (Ref # 15)	43012-001	1
PIN BRAKE (Ref # 16)	92043-039	1
NUT,WING,6M/M (Ref # 17)	92015-4004	1