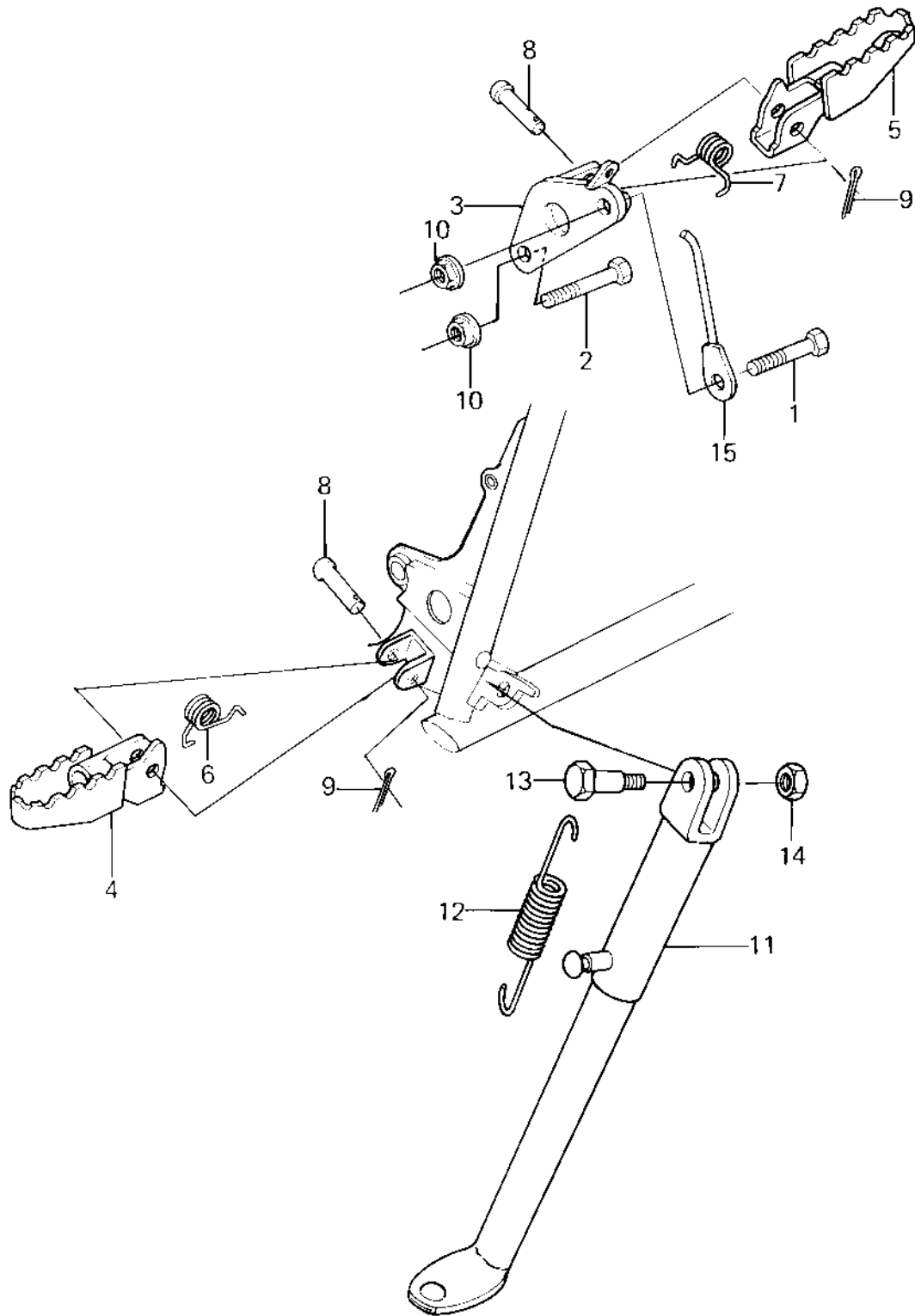


1981 KX™80 PARTS DIAGRAM

FOOTRESTS/STAND



1981 KX™80 PARTS LIST

FOOTRESTS/STAND

ITEM NAME	PART NUMBER	QUANTITY
BOLT,8X45 (Ref # 1)	92001-1449	1
BOLT,8X50 (Ref # 2)	92001-1439	1
HOLDER,STEP,R,H (Ref # 3)	34003-1077	1
STEP,FOOTREST,L.H. (Ref # 4)	34028-1011	1
STEP,FOOTREST,R.H. (Ref # 5)	34028-1012	1
SPRING,L.H FOOTREST (Ref # 6)	92081-1288	1
SPRING,R.H FOOTREST (Ref # 7)	92081-1289	1
PIN,FOOTREST BAR FIT (Ref # 8)	92043-115	1
PIN COTTER 2.5X16 (Ref # 9)	550D2516	1
NUT-8MM (Ref # 10)	92015-1143	1
STAND-SIDE (Ref # 11)	34024-1053	1
SPRING,SIDE STAND (Ref # 12)	34025-005	1
BOLT-UPSET,10X30 (Ref # 13)	112G1030	1
NUT 10MM (Ref # 14)	315B1000	1
GUARD,BRAKE ROD (Ref # 15)	55020-1058	1