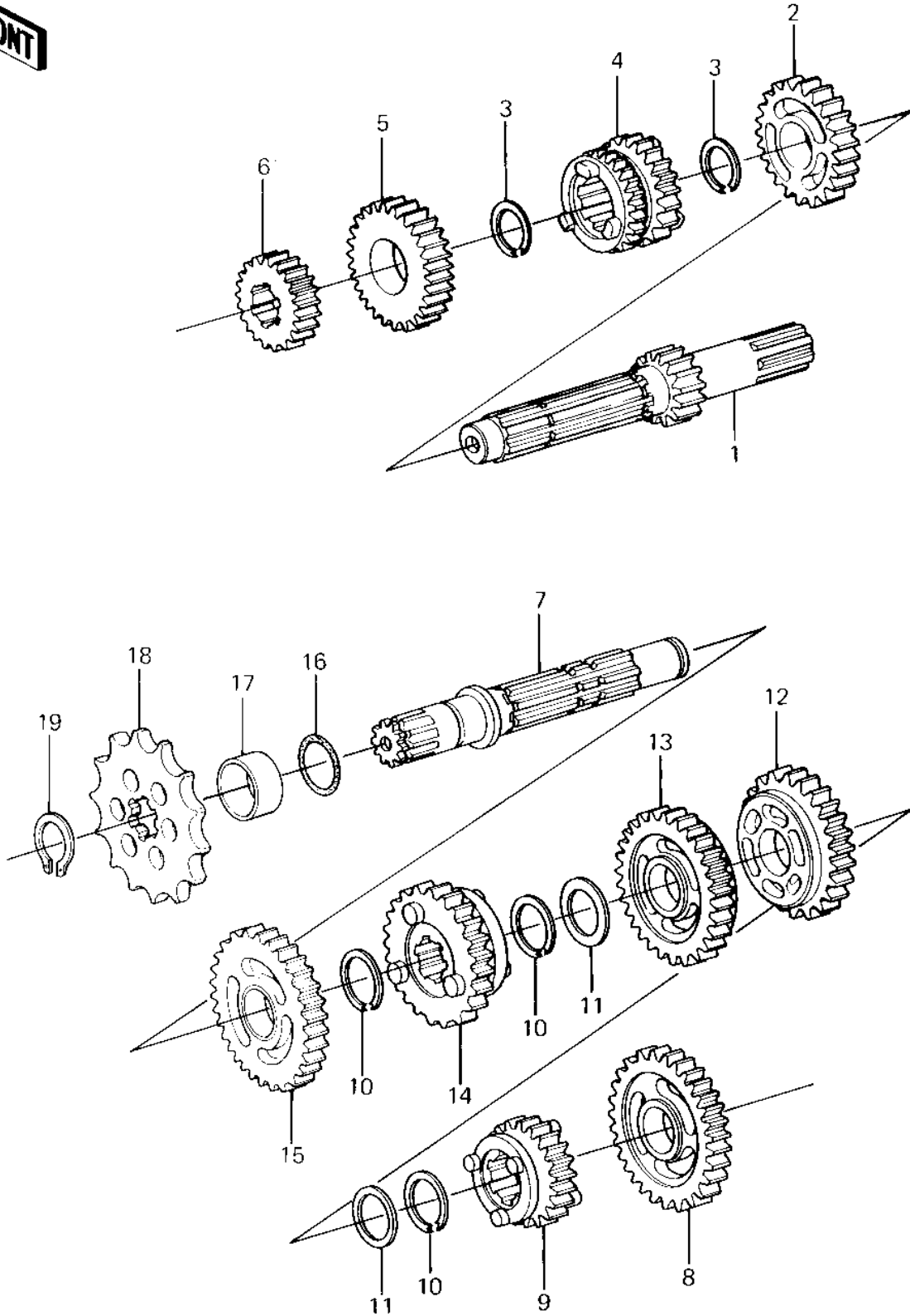


1981 KX™80 PARTS DIAGRAM

TRANSMISSION ('81 KX80-C1)



1981 KX™80 PARTS LIST

TRANSMISSION ('81 KX80-C1)

ITEM NAME	PART NUMBER	QUANTITY
LOW GEAR,13T (Ref # 1)	13127-1032	1
5TH GEAR,23T (Ref # 2)	13129-1217	1
RING,SNAP (Ref # 3)	92033-1060	1
GEAR,INPUT,3RD&4TH (Ref # 4)	13129-1378	1
TOP GEAR,24T (Ref # 5)	13129-1218	1
2ND GEAR,16T (Ref # 6)	13129-1215	1
SHAFT,OUTPUT (Ref # 7)	13128-1028	1
LOW GEAR,37T (Ref # 8)	13129-1219	1
5TH GEAR,28T (Ref # 9)	13129-1223	1
CIRCLIP (Ref # 10)	92033-028	1
WASHER,LOCK (Ref # 11)	92024-055	1
4TH GEAR,30T (Ref # 12)	13129-1222	1
3RD GEAR,31T (Ref # 13)	13129-1221	1
GEAR,OUTPUT, TOP,26T (Ref # 14)	13129-1339	1
2ND GEAR,34T (Ref # 15)	13129-1220	1
"O" RING (Ref # 16)	92055-022	1
COLLAR,ENG SPROCKET (Ref # 17)	92027-1077	1
SPROCKET,ENGINE,14T (Ref # 18)	13144-1022	1
CIRCLIP, 20MM (Ref # 19)	480J2000	1