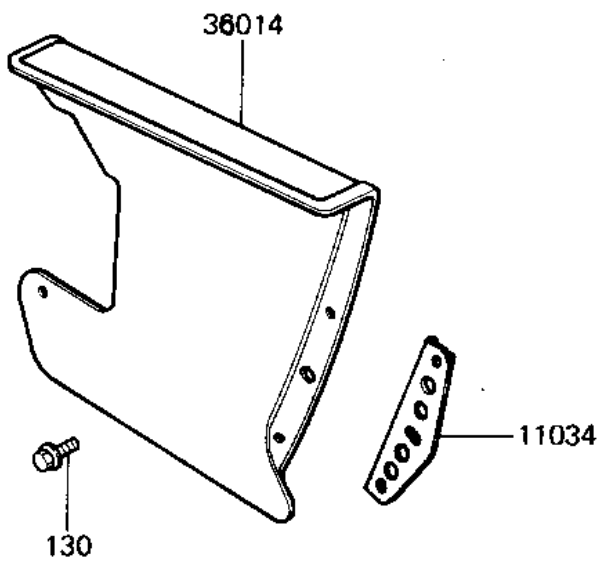
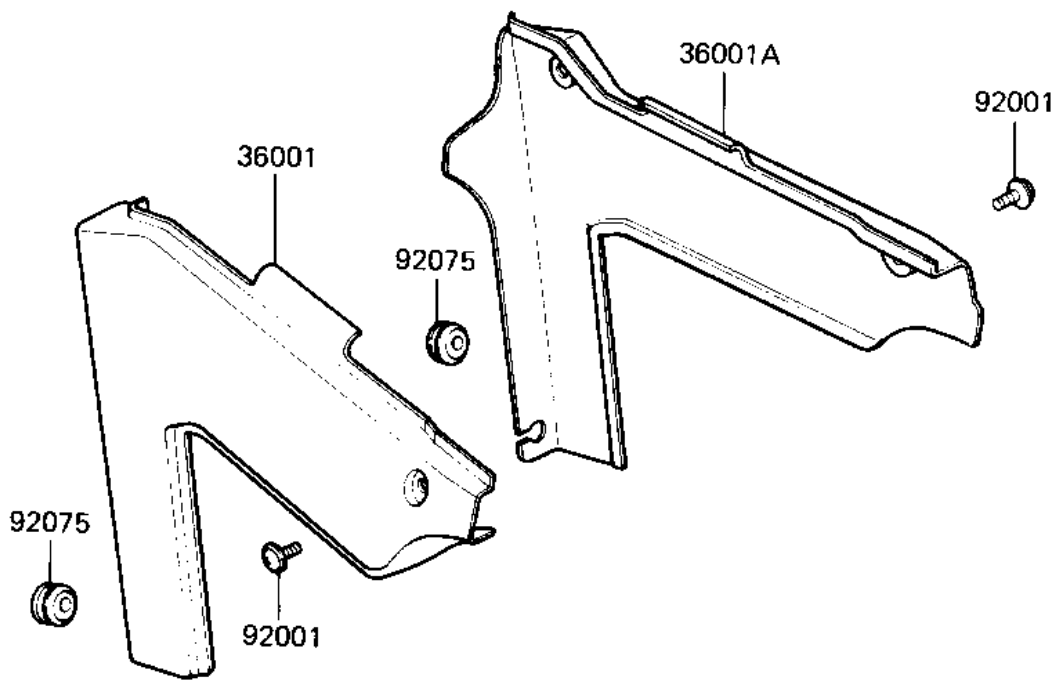


## 1982 KDX™250 PARTS DIAGRAM

SIDE COVERS/CHAIN COVER

F2610-0119



## 1982 KDX™250 PARTS LIST

SIDE COVERS/CHAIN COVER

ITEM NAME	PART NUMBER	QUANTITY
BRACKET,CHAIN CASE,F (Ref # 11034)	11034-1841	1
COVER8SIDE,LH,L.GREEN (Ref # 36001)	36001-1148-6W	1
COVER-SIDE,RH,L.GREEN (Ref # 36001A)	36001-1149-6W	1
CASE-CHAIN (Ref # 36014)	36014-4005	1
SCREW,6X10 (Ref # 92001)	92009-1286	1
DAMPER,SIDE COVER (Ref # 92075)	92075-1067	1
BOLT,FLANGED,6X12 (Ref # 130)	130G0612	1