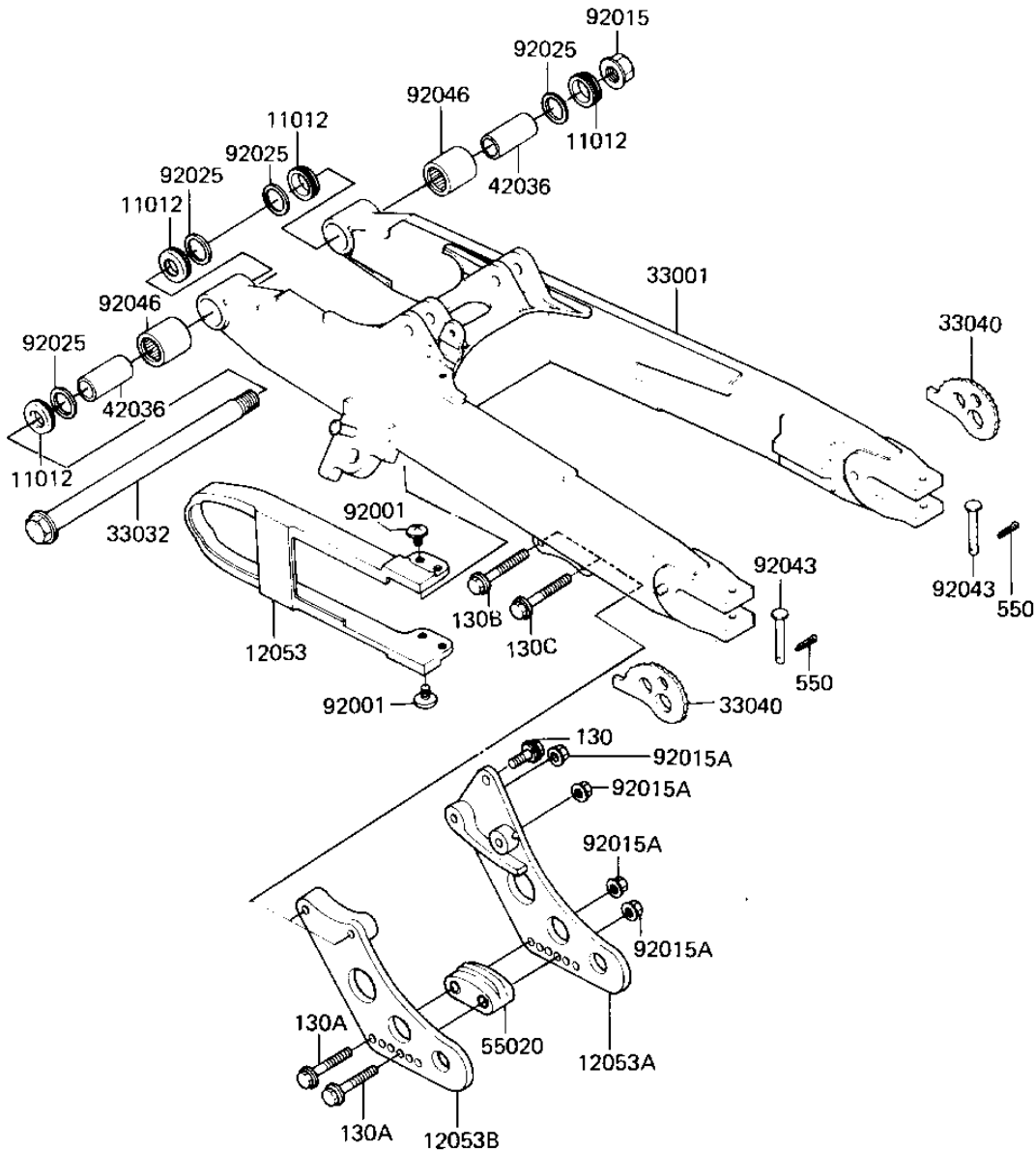


1982 KDX™250 PARTS DIAGRAM

SWING ARM



R	N
11	
12	
12	
12	
33	
33	
33	
42	
55	
92	
92	
92	
92	
92	

1982 KDX™250 PARTS LIST

SWING ARM

ITEM NAME	PART NUMBER	QUANTITY
CAP,SWING ARM (Ref # 11012)	11012-1207	1
GUIDE-CHAIN (Ref # 12053)	12053-1062	1
GUIDE-CHAIN (Ref # 12053A)	12053-1063	1
GUIDE-CHAIN (Ref # 12053B)	12053-1064	1
ARM-COMP-SWING (Ref # 33001)	33001-1129	1
SHAFT-SWING ARM (Ref # 33032)	33032-1042	1
ADJUSTER-CHAIN,LH (Ref # 33040)	33040-1060	1
SLEEVE,SWING ARM (Ref # 42036)	42036-1056	1
GUARD,CHAIN (Ref # 55020)	55020-1060	1
SCREW,6X10 (Ref # 92001)	92009-1286	1
NUT,14MM (Ref # 92015)	92015-1407	1
NUT-6MM (Ref # 92015A)	92015-1078	1
SHIM,SWING ARM (Ref # 92025)	92025-1116	1
PIN (Ref # 92043)	92043-1110	1
BRG,NEEDLE,HMK2030 (Ref # 92046)	92046-1031	1
BOLT,FLANGED,6X20 (Ref # 130)	130G0620	1
BOLT,FLANGED,6X45 (Ref # 130A)	130G0645	1
BOLT,FLANGED,6X55 (Ref # 130B)	130G0655	1
BOLT-FLANGED,6X60 (Ref # 130C)	130G0660	1
PIN COTTER 2.0X15 (Ref # 550)	550D2015	1