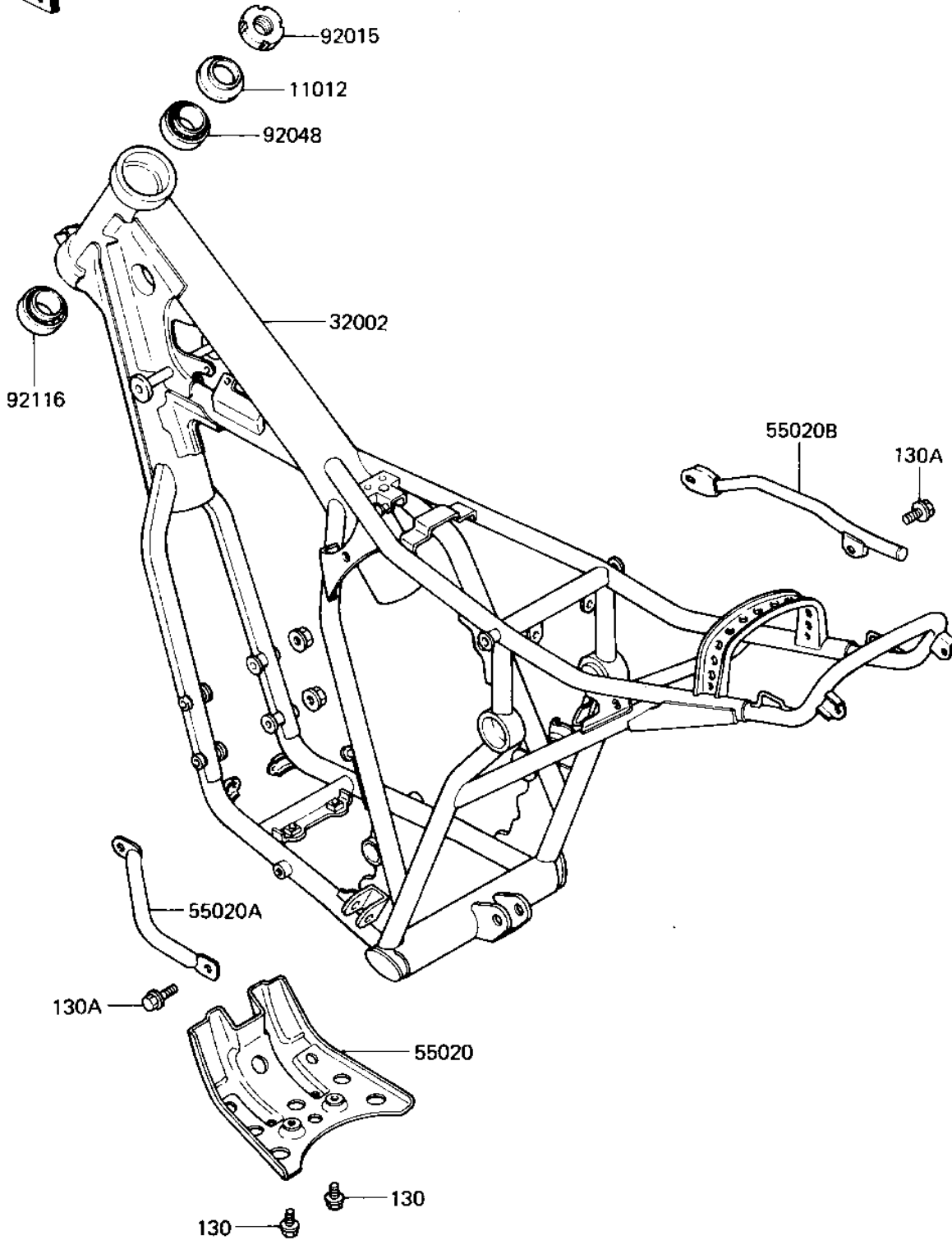


## 1982 KDX™250 PARTS DIAGRAM

FRAME



	R	N
	11	
	32	
	55	
	55	
	55	
	92	
	92	
	92	

## 1982 KDX™250 PARTS LIST

### FRAME

ITEM NAME	PART NUMBER	QUANTITY
CAP,STEERING STEM (Ref # 11012)	46098-015	1
FRAME-COMP (Ref # 32002)	32002-1394	1
GUARD,ENGINE (Ref # 55020)	55020-1062	1
GUARD,LH (Ref # 55020A)	55020-1064	1
GUARD,RH (Ref # 55020B)	55020-1065	1
NUT (Ref # 92015)	92015-1546	1
BEARING,STEERING STEM (Ref # 92048)	92047-017	1
BEARING,ROLLER,32006 (Ref # 92116)	92116-1008	1
BOLT,FLANGED,6X12 (Ref # 130)	130G0612	1
BOLT-FLANGED,8X12 (Ref # 130A)	130G0812	1