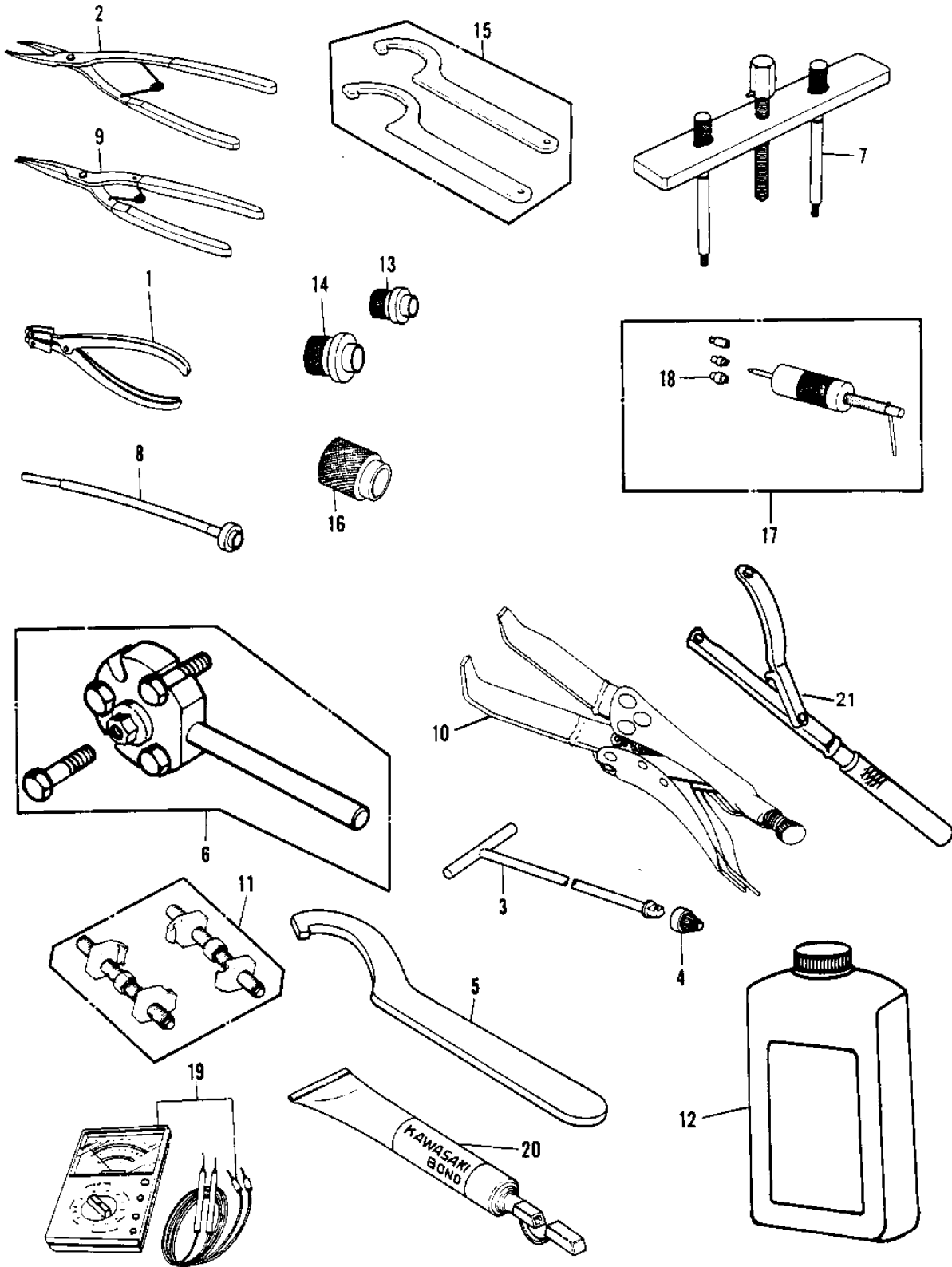


## 1981 KDX™250 PARTS DIAGRAM

### SPECIAL SERVICE TOOLS



## 1981 KDX™250 PARTS LIST

### SPECIAL SERVICE TOOLS

ITEM NAME	PART NUMBER	QUANTITY
PLIERS-PISTON RING (Ref # 1)	57001-115	1
PLIERS,CIRCLIP,INSIDE (Ref # 2)	57001-143	1
HANDLE,FORK CLY HOLDR (Ref # 3)	57001-183	1
ADAPTER,F.F.CYL HOLDR (Ref # 4)	57001-1057	1
WRENCH,STEM NUT (Ref # 5)	57001-1100	1
57001-259 (Canada) (Ref # 6)	T57001-259	1
57001-1098 (Canada) (Ref # 7)	57001-153	1
GAUGE,FUEL LEVEL (Ref # 8)	57001-202	1
PLIERS,CIRCLIP,OUTSID (Ref # 9)	57001-144	1
57001-1243 (Canada) (Ref # 10)	T57001-165	1
COMPRESSOR ASSY,SPRNG (Ref # 11)	57001-1087	1
2 CYCLE RACE OIL-PINT (Ref # 12)	K61020-022A	1
GUIDE,SHIFT OIL SEAL (Ref # 13)	57001-264	1
*** N.L.A. *** (Canada) (Ref # 14)	57001-265	1
WRENCH,HOOK ASSY (Ref # 15)	57001-1101	1
DRIVER,FORK OIL SEAL (Ref # 16)	57001-1104	1
57001-910 (Canada) (Ref # 17)	T57001-910	1
ADAPTER C,PIN PULLER (Ref # 18)	57001-914	1
MULTIMETER (Ref # 19)	57001-983	1
LIQUID GASKET (Ref # 20)	92104-002	1
57001-1343 (Canada) (Ref # 21)	57001-306	1