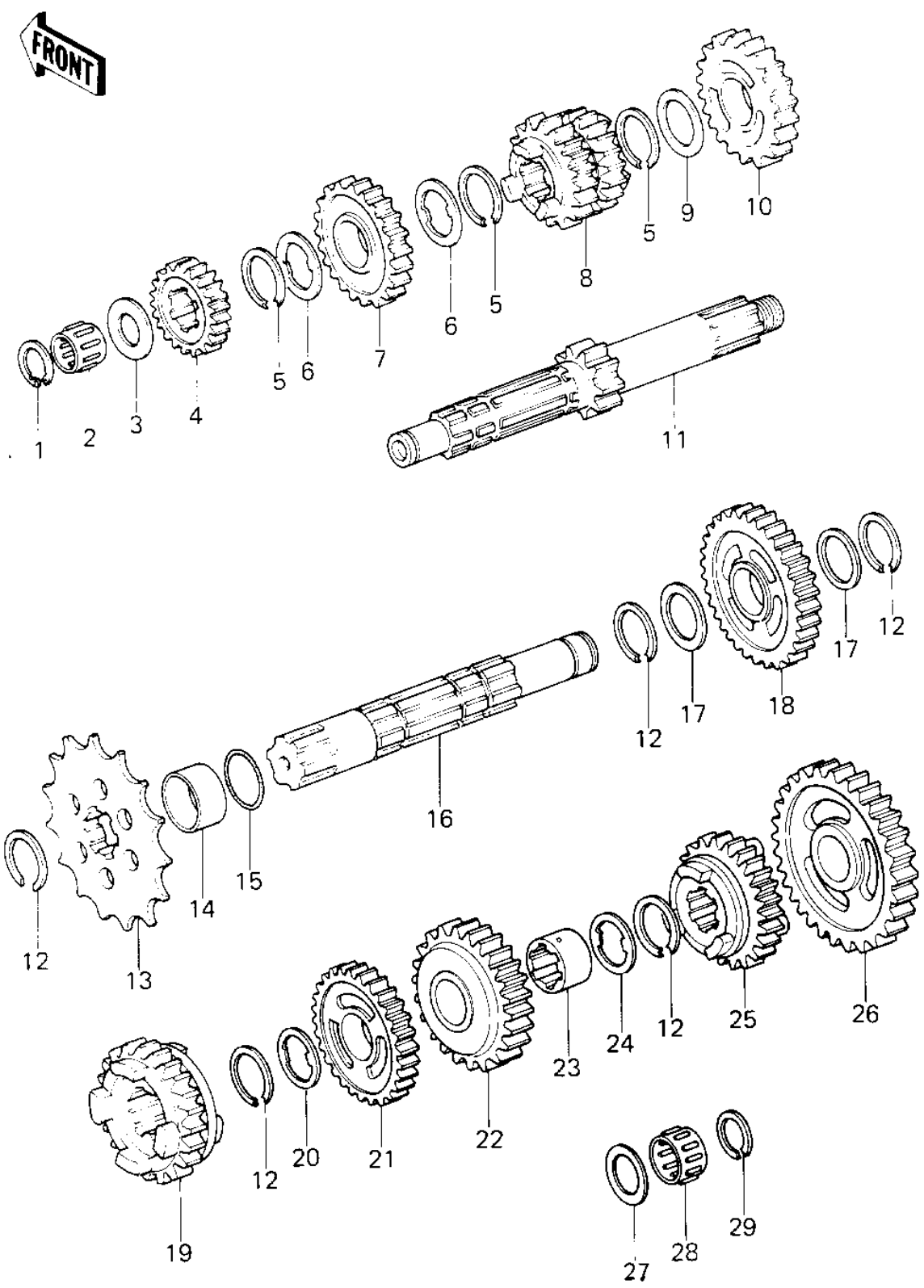


1981 KDX™250 PARTS DIAGRAM

TRANSMISSION ('81KDX250-B1)



Ref
1
2
3
4
5
6
7
8
9
10
11
12
13
14
15
16
17
18
19
20
21
22
23
24
25
26
27
28
29

6076-014

1981 KDX™250 PARTS LIST

TRANSMISSION ('81KDX250-B1)

ITEM NAME	PART NUMBER	QUANTITY
CIRCLIP,16MM (Ref # 1)	92033-032	1
BEARING-NEEDLE (Ref # 2)	92046-1184	1
WASHER,PLAIN (Ref # 3)	92022-281	1
GEAR,4TH (Ref # 4)	13129-1226	1
CIRCLIP,25MM (Ref # 5)	92033-025	1
WASHER-LOCK (Ref # 6)	92024-039	1
GEAR,TOP (Ref # 7)	13129-1228	1
GEAR,INPUT 2ND&3RD (Ref # 8)	13129-1599	1
WASHER-PLAIN (Ref # 9)	92022-198	1
GEAR,5TH (Ref # 10)	13129-1227	1
GEAR,LOW (Ref # 11)	13127-1033	1
CIRCLIP (Ref # 12)	92033-026	1
ENGINE SPROCKET 13T (Ref # 13)	13144-055	1
ENGINE SPROCKET,14T (Ref # 13)	13144-1006	1
COLLAR-ENG SPROKET (Ref # 14)	92027-163	1
"O" RING (Ref # 15)	92055-035	1
OUTPUT SHAFT (Ref # 16)	13128-1029	1
WASHER-PLAIN 25MM (Ref # 17)	92022-159	1
GEAR,4TH (Ref # 18)	13129-1232	1
TOP GEAR,OUTPUT SHAFT (Ref # 19)	13129-1234	1
WASHER,LOCK,30X1.0T (Ref # 20)	92022-1072	1
GEAR,3RD (Ref # 21)	13129-1231	1
GEAR,2ND (Ref # 22)	13129-1230	1
BUSHING,OUTPUT GEAR (Ref # 23)	92028-1268	1
WASHER-LOCK (Ref # 24)	92024-038	1
GEAR,OUTPUT 57H,20T (Ref # 25)	13129-1352	1
GEAR,LOW (Ref # 26)	13129-1229	1
WASHER THRUST (Ref # 27)	92022-112	1
BEARING-NEEDLE,KT2026 (Ref # 28)	92046-1170	1

1981 KDX™250 PARTS LIST

TRANSMISSION ('81KDX250-B1)

ITEM NAME	PART NUMBER	QUANTITY
CIRCLIP,18MM (Ref # 29)	92033-029	1