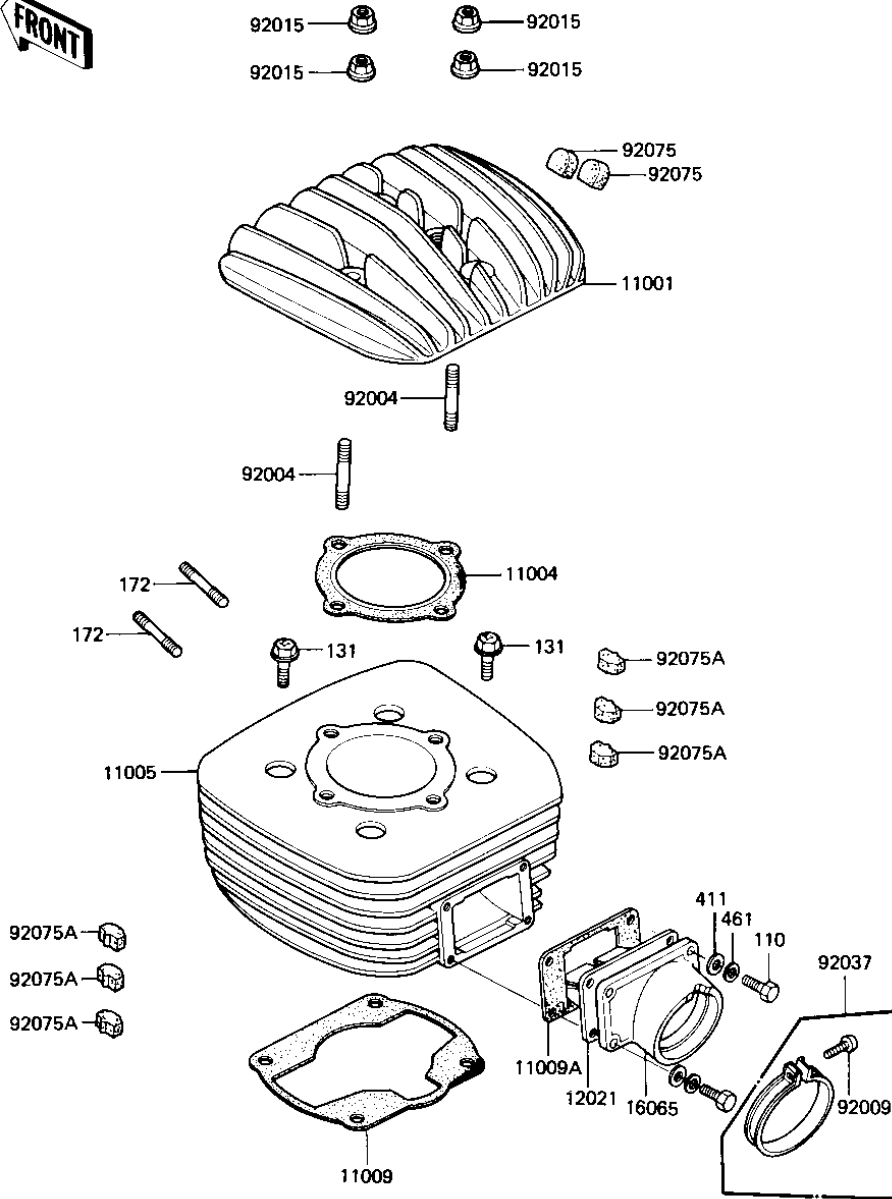


## 1982 KE175 PARTS DIAGRAM

CYLINDER HEAD/CYLINDER/REED VALVE ('82')

E1110-0005



## 1982 KE175 PARTS LIST

CYLINDER HEAD/CYLINDER/REED VALVE ('82')

ITEM NAME	PART NUMBER	QUANTITY
HEAD,CYLINDER (Ref # 11001)	11001-1034	1
GASKET,CYLINDER HEAD (Ref # 11004)	11004-1017	1
CYLINDER (Ref # 11005)	11005-1072	1
GASKET,CYLINDER BASE (Ref # 11009)	11009-1060	1
GASKET,REED VALVE (Ref # 11009A)	11009-1109	1
VALVE ASSY,REED (Ref # 12021)	12021-1005	1
HOLDER,CARBURETOR (Ref # 16065)	16065-1025	1
STUD,8X35 (Ref # 92004)	92004-1009	1
SCREW 5X25 (Ref # 92009)	92011-037	1
NUT,8M/M (Ref # 92015)	92015-1014	1
CLAMP HOLDER (Ref # 92037)	92037-077	1
DAMPER RUBBER (Ref # 92075)	92075-1176	1
DAMPER,RUBBER (Ref # 92075A)	92075-304	1
BOLT-UPSET (Ref # 110)	112G0625	1
BOLT,FLANGED,8X70 (Ref # 131)	131G0870	1
STUD,8X25 (Ref # 172)	92004-1008	1
WASHER PLAIN 6MM (Ref # 411)	411B0600	1
WASHER SPRING 6MM (Ref # 461)	461F0600	1