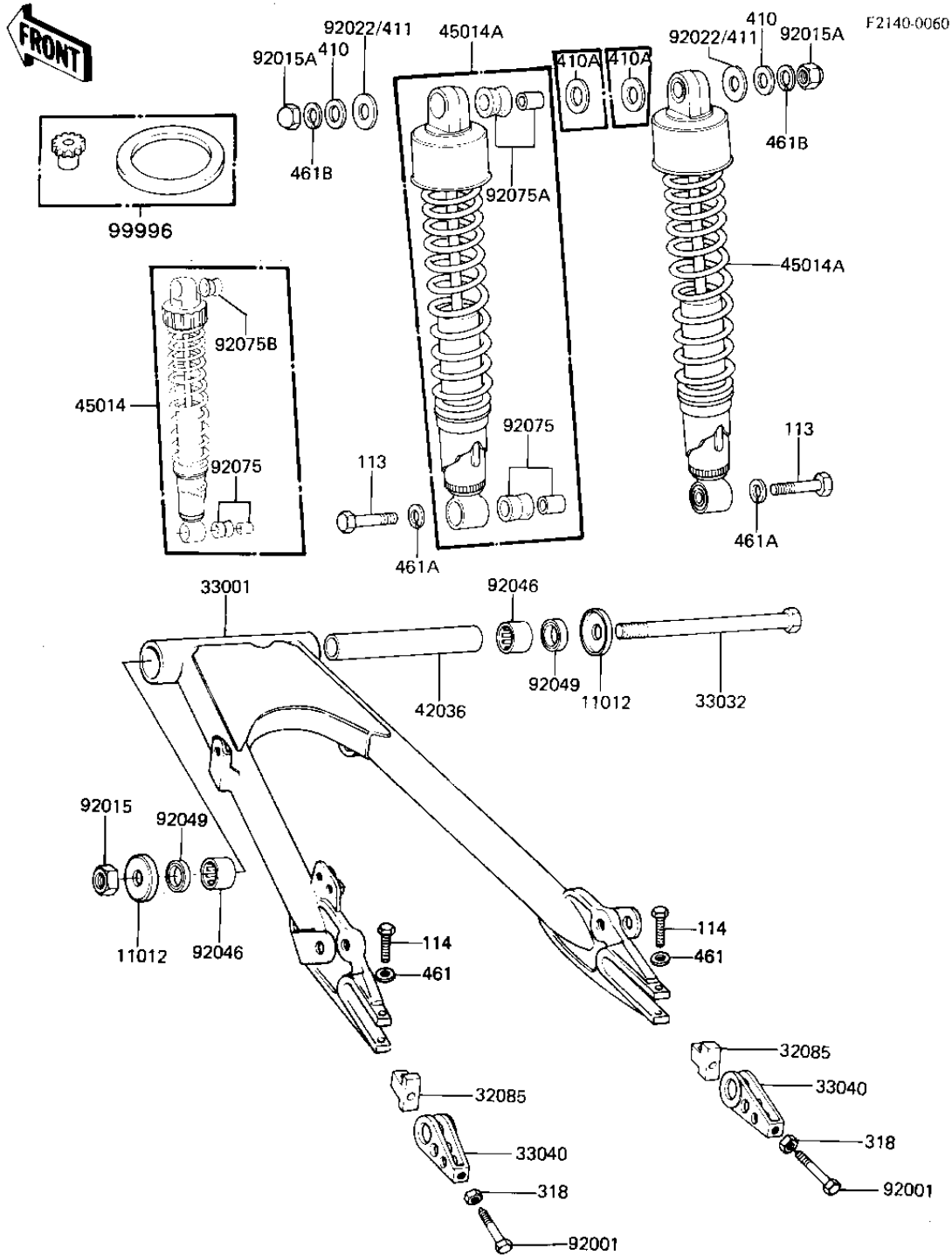


1981 650 CSR PARTS DIAGRAM

SWING ARM/SHOCK ABSORBERS ('81-'82 H1/H2)



1981 650 CSR PARTS LIST

SWING ARM/SHOCK ABSORBERS ('81-'82 H1/H2)

| ITEM NAME | PART NUMBER | QUANTITY |
|--------------------------------------|-------------|----------|
| CAP,SWING ARM (Ref # 11012) | 33035-009 | 1 |
| STOPPER,CHAIN ADJUST (Ref # 32085) | 33044-002 | 1 |
| ARM-COMP-SWING (Ref # 33001) | 33001-1094 | 1 |
| SHAFT,SWING ARM (Ref # 33032) | 33032-050 | 1 |
| ADJUSTER,CHAIN (Ref # 33040) | 33040-056 | 1 |
| SLEEVE,SWING ARM (Ref # 42036) | 42036-1012 | 1 |
| SHOCK ABSBR RR (Ref # 45014) | 45014-1112 | 1 |
| BOLT,8X50 (Ref # 92001) | 92001-1399 | 1 |
| NUT-SELF LOCKING (Ref # 92015) | 92019-012 | 1 |
| NUT 12MM (Ref # 92015A) | 92020-014 | 1 |
| BEARING-NEEDLE,HK2216 (Ref # 92046) | 92046-1115 | 1 |
| BUSHING,SHOCK ABSORBE (Ref # 92075) | 45017-019 | 1 |
| BUSHING,SHOCK ABSORBR (Ref # 92075B) | 92075-1262 | 1 |
| SHOCK ABSORBER KIT (Ref # 99996) | 99996-1025 | 1 |
| BOLT HEX HEAD 10X35 (Ref # 113) | 113N1035 | 1 |
| BOLT,SMALL UPSET (Ref # 114) | 115G0835 | 1 |
| NUT 8MM (Ref # 318) | 318B0800 | 1 |
| WASHER PLAIN 12MM (Ref # 410) | 410B1200 | 1 |
| WASHER PLAIN 12MM (Ref # 411) | 411B1200 | 1 |
| WASHER SPRING 8MM (Ref # 461) | 461F0800 | 1 |
| WASHER SPRING 10MM (Ref # 461A) | 461F1000 | 1 |
| WASHER SPRING 12MM (Ref # 461B) | 461F1200 | 1 |