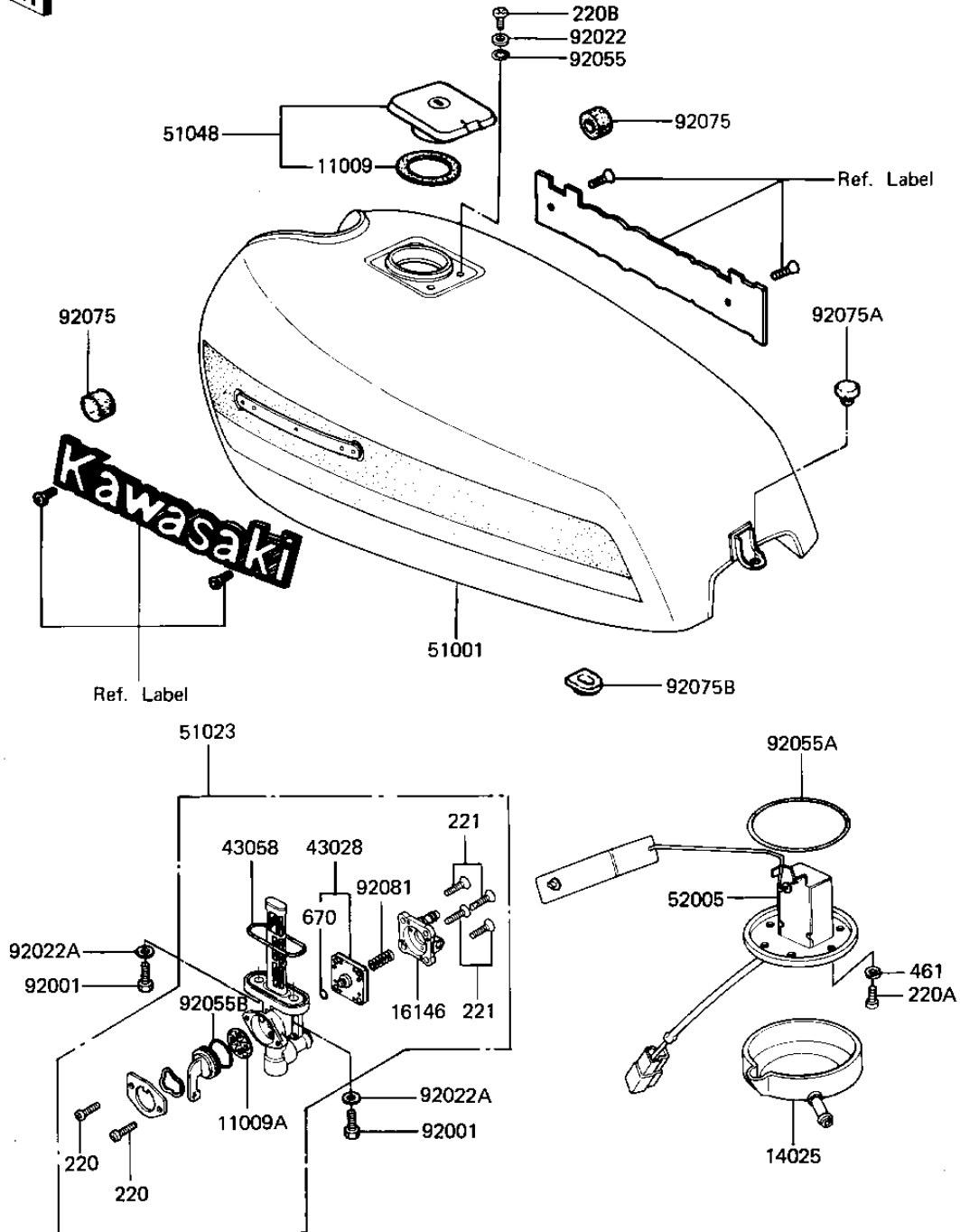


## 1981 550 GP PARTS DIAGRAM

FUEL TANK

F2410-0037



## 1981 550 GP PARTS LIST

### FUEL TANK

ITEM NAME	PART NUMBER	QUANTITY
GASKET,FUEL TANK CAP (Ref # 11009)	11009-1051	1
GASKET,FUEL TAP (Ref # 11009A)	11009-1188	1
COVER,FUEL GAGE (Ref # 14025)	14025-1091	1
COVER ASSY,FUEL TAP (Ref # 16146)	16146-1009	1
DIAPHRAGM VALVE ASSY (Ref # 43028)	43028-1021	1
"O" RING (Ref # 43058)	51039-003	1
TANK-FUEL,F.RED (Ref # 51001)	51001-1067-B1	1
TAP ASSY,FUEL (Ref # 51023)	51023-1030	1
CAP-ASSY-TANK,FUEL (Ref # 51048)	51048-1015	1
GAUGE,FUEL (Ref # 52005)	52005-1022	1
BOLT,6X20,FUEL TAP (Ref # 92001)	92001-1091	1
WASHER,PLAIN (Ref # 92022)	92022-1038	1
WASHER-PLAIN (Ref # 92022A)	92022-183	1
"O" RING (Ref # 92055)	92055-1023	1
"O" RING (Ref # 92055A)	92055-1067	1
"O" RING,FUEL TAP LEV (Ref # 92055B)	92055-1085	1
DAMPER RUBBER-FL TANK (Ref # 92075)	92075-101	1
DAMPER RUBBER (Ref # 92075A)	92075-281	1
DAMPER RUBBER FUEL TA (Ref # 92075B)	92075-295	1
SPRING,DIAPHRAGM VALV (Ref # 92081)	92081-1240	1
SCREW PAN HEAD 3X8 (Ref # 220)	220B0308	1
SCREW PAN HEAD 5X8 (Ref # 220A)	220B0508	1
SCREW PAN HEAD 5X10 (Ref # 220B)	220B0510	1
SCREW-CSK-CROS,4X14 (Ref # 221)	221B0414	1
WASHER SPRING 5MM (Ref # 461)	461F0500	1
"O" RING,4MM (Ref # 670)	670B1504	1