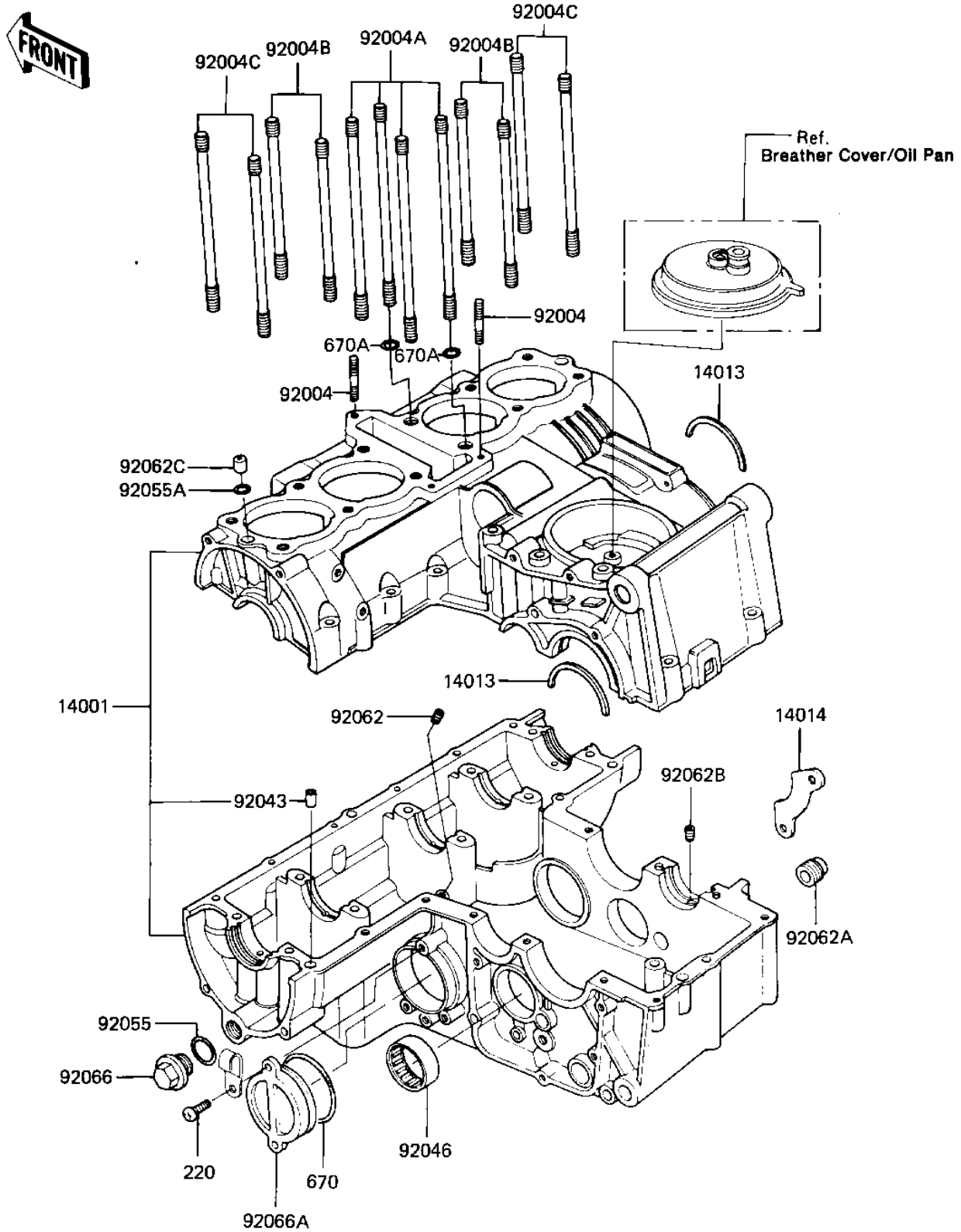


1981 550 GP PARTS DIAGRAM

CRANKCASE

E1411-0016



1981 550 GP PARTS LIST

CRANKCASE

ITEM NAME	PART NUMBER	QUANTITY
SET-CRANKCASE,F.BLACK (Ref # 14001)	14001-5096	1
RING BEARING SETTING (Ref # 14013)	14013-004	1
PLATE,POSITION (Ref # 14014)	14014-1006	1
STUD (Ref # 92004)	92004-059	1
STUD,8X146 (Ref # 92004A)	92004-1016	1
STUD,8X108.5 (Ref # 92004B)	92004-1017	1
STUD,8X128.5 (Ref # 92004C)	92004-1018	1
PIN,DOWEL,10X8.2X14 (Ref # 92043)	92043-1037	1
BRG,NEDL,37BTM4312 (Ref # 92046)	92046-051	1
RING-O (Ref # 92055)	92055-1146	1
O RING (Ref # 92055A)	670D2010	1
NOZZLE,OIL BIAS (Ref # 92062)	92062-011	1
NOZZLE (Ref # 92062A)	92062-014	1
NOZZLE (Ref # 92062B)	92062-015	1
NOZZLE (Ref # 92062C)	92062-016	1
PLUG (Ref # 92066)	92066-066	1
PLUG,SECONDARY SHAFT (Ref # 92066A)	92066-1019	1
SCREW PAN HEAD 6X20 (Ref # 220)	220B0620	1
"O" RING,46MM (Ref # 670)	670B3046	1
"O" RING,8M/M (Ref # 670A)	670D1508	1