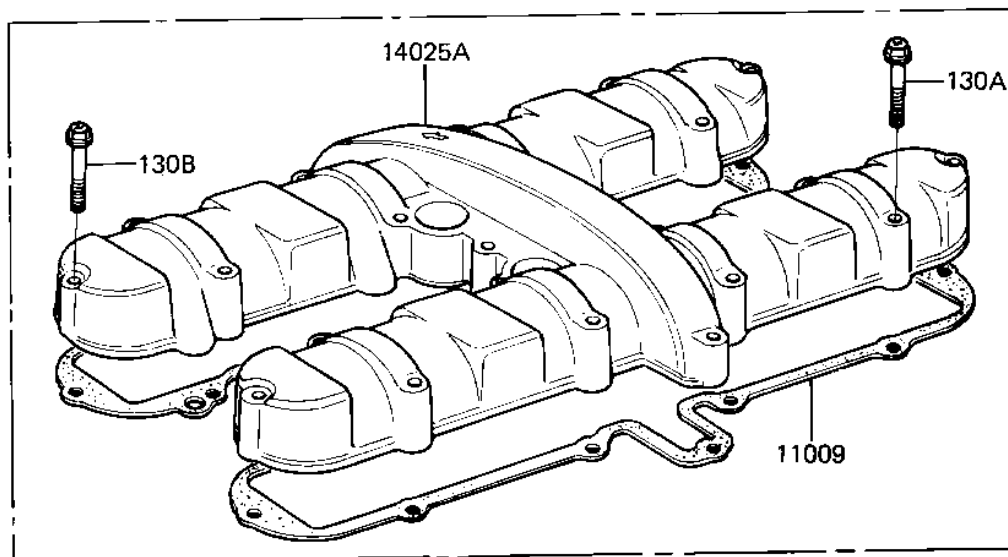
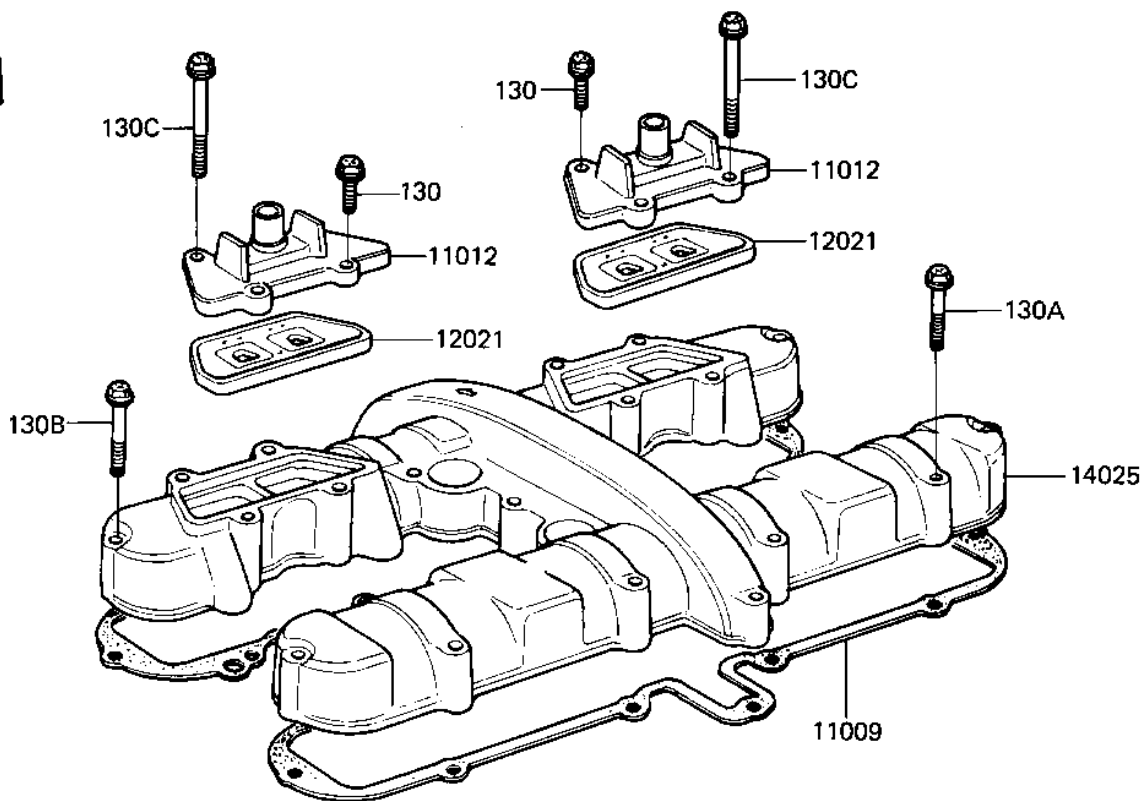


1981 550 GP PARTS DIAGRAM

CYLINDER HEAD COVER

E1111-0023



1981 550 GP PARTS LIST

CYLINDER HEAD COVER

ITEM NAME	PART NUMBER	QUANTITY
GASKET,CYL HEAD COVER (Ref # 11009)	11009-1058	1
CAP, REED VALVE, F. BLAK (Ref # 11012)	11012-1192	1
VALVE ASSY REED (Ref # 12021)	12021-1003	1
COVER, CYLINDER HEAD (Ref # 14025)	14025-1334	1
COVER, CYLINDER HEAD (Canada) (Ref # 14025A)	14025-1335	1
BOLT, FLANGED, 6X20 (Ref # 130)	130G0620	1
BOLT, FLANGED, 6X35 (Ref # 130A)	130H0635	2
BOLT, FLANGED, 6X45 (Ref # 130B)	130G0645	1
BOLT, FLANGED, 6X65 (Ref # 130C)	130G0665	1